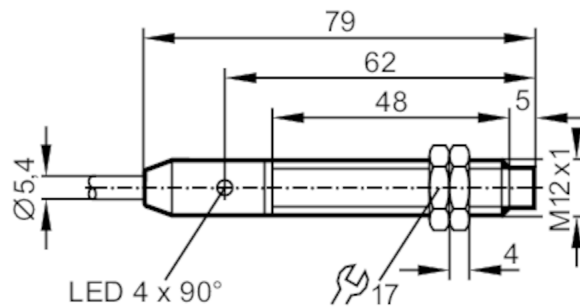


# IFM208



## Inductive sensor

IFKC007-ASKG/M/6M/ZH



### Product characteristics

Electrical design	PNP/NPN
Output function	normally open
Sensing range [mm]	7
Housing	threaded type
Dimensions [mm]	M12 x 1 / L = 79

### Application

Special feature	Increased sensing range
Application	Use in mobile and harsh applications

### Electrical data

Operating voltage [V]	10...36 DC
Current consumption [mA]	< 10; (only in 3-wire operation)
Protection class	II
Reverse polarity protection	yes

### Outputs

Electrical design	PNP/NPN
Output function	normally open
Max. voltage drop switching output DC [V]	2.5
Minimum load current [mA]	2; (only in 2-wire operation)
Max. leakage current [mA]	0.5; (only in 2-wire operation)
Permanent current rating of switching output DC [mA]	100
Switching frequency DC [Hz]	300
Short-circuit protection	yes
Type of short-circuit protection	pulsed
Overload protection	yes

### Detection zone

Sensing range [mm]	7
Operating distance [mm]	0...5.67
Increased sensing range	yes

# IFM208



## Inductive sensor

IFKC007-ASKG/M/6M/ZH

Accuracy / deviations			
Correction factor		steel: 1 / stainless steel: 0.7 / brass: 0.5 / aluminium: 0.5 / copper: 0.4	
Hysteresis	[% of Sr]	1...20	
Switch point drift	[% of Sr]	-10...10	
Operating conditions			
Ambient temperature	[°C]	-40...85	
Protection		IP 67; IP 69K	
Tests / approvals			
EMC	automotive area		
	noise emission and noise immunity: ECE R10	E1 type approval	
	noise immunity according to DIN ISO 11452-2	100 V/m	
	conducted interference in 24 V networks to ISO 7637-2: 2004 (pulse 1 to 4) and ISO16750-2: 2012 (load dump)		
	pulse	1 2a 2b 3a 3b 4 Load dump	
	severity level	III III III III III III Test A	
	failure criterion	C A C A A C C	
	EN 61000-4-2 ESD	4 kV CD / 8 kV AD	
	EN 61000-4-3 HF radiated	10 V/m	
	EN 61000-4-4 Burst	2 kV	
	EN 61000-4-5 Surge	0,5 kV mains line to line	
	EN 61000-4-6 HF conducted	10 V	
	EN 55011	class B	
	Vibration resistance	EN 60068-2-6 Fc	20 g (10...3000 Hz) / -20...50 °C 50 sweep cycles, 1 octave per minute, in 3 axes
	Shock resistance	EN 60068-2-27 Ea	100 g 11 ms half-sine; 3 shocks each in every direction of the 3 coordinate axes / -40...85 °C
Continuous shock resistance	EN 60068-2-27	40 g 6 ms; 4000 shocks each in every direction of the 3 coordinate axes / -20...50 °C	
Fast temperature change	EN 60068-2-14 Na	TA = -40 °C; TB = 85 °C; t1 = 30 min; t2 = < 10 s; 50 cycles	
Salt spray test	EN 60068-2-52 Kb	severity level 5 (4 test cycles)	
UL approval	Ta	0...40 °C	
	Enclosure type	Type 1	
	power supply	Hazardous voltage	
	File number UL	E174191	
Mechanical data			
Weight	[g]	281.5	
Housing		threaded type	
Mounting		non-flush mountable	
Dimensions	[mm]	M12 x 1 / L = 79	
Thread designation		M12 x 1	
Materials		housing: stainless steel; sensing face: PBT; lock nuts: brass	
Displays / operating elements			
Display	switching status	4 x 90° LED, yellow	

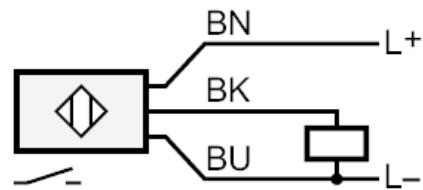
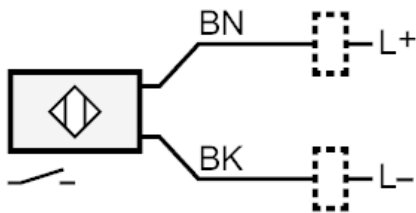
# IFM208



## Inductive sensor

IFKC007-ASKG/M/6M/ZH

Accessories	
Items supplied	lock nuts: 2
Remarks	
Pack quantity	1 pcs.
Electrical connection	
Cable: 6 m, PUR, Ø 5.4 mm; burning behaviour to ECE R118 rev. 2; 3 x 0.5 mm <sup>2</sup>	
Connection	



Core colours :  
BK = black  
BN = brown  
BU = blue