

# IF5840

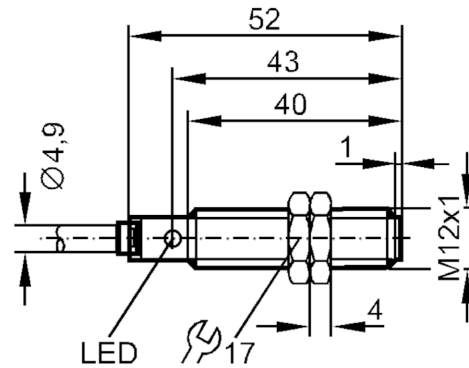


## Inductive sensor

IFK3003BBPKG/V4A/30M

discontinued article

Alternative article: IF5837 When selecting an alternative article and accessories please note that technical data may differ! – When selecting an alternative article and accessories please note that technical data may differ! – Discontinuation date: 31.03.2016



### Product characteristics

Electrical design		PNP
Output function		normally open
Sensing range	[mm]	3
Housing		threaded type
Dimensions	[mm]	M12 x 1

### Electrical data

Operating voltage	[V]	10...36 DC
Current consumption	[mA]	15; (24 V)
Protection class		III
Reverse polarity protection		yes

# IF5840



## Inductive sensor

IFK3003BBPKG/V4A/30M

Outputs		
Electrical design		PNP
Output function		normally open
Max. voltage drop switching output DC	[V]	2.5
Permanent current rating of switching output DC	[mA]	200
Switching frequency DC	[Hz]	400
Short-circuit protection		yes
Type of short-circuit protection		pulsed
Overload protection		yes
Detection zone		
Sensing range	[mm]	3
Real sensing range $S_r$	[mm]	$3 \pm 10\%$
Operating distance	[mm]	0...2.4
Accuracy / deviations		
Correction factor		steel: 1 / stainless steel: 0.7 / brass: 0.5 / aluminium: 0.4 / copper: 0.3
Hysteresis	[% of $S_r$ ]	3...15
Switch point drift	[% of $S_r$ ]	-10...10
Operating conditions		
Ambient temperature	[°C]	-25...80
Protection		IP 67
Tests / approvals		
EMC		EN 60947-5-2
		EN 55011
		class B
MTTF	[years]	1874
Mechanical data		
Weight	[g]	1041.2
Housing		threaded type
Mounting		flush mountable
Dimensions	[mm]	M12 x 1
Thread designation		M12 x 1
Materials		stainless steel (1.4571/316Ti); PBT
Displays / operating elements		
Display	switching status	1 x LED, yellow
Accessories		
Accessories (supplied)		lock nuts: 2
Remarks		
Notes		discontinued article
Pack quantity		1 pcs.

# IF5840



## Inductive sensor

IFK3003BBPKG/V4A/30M

### Electrical connection

Cable: 30 m, PVC; 3 x 0.34 mm<sup>2</sup>

### Connection



Core colours :

BK = black  
BN = brown  
BU = blue

discontinued article

Alternative article: IF5837 When selecting an alternative article and accessories please note that technical data may differ! – When selecting an alternative article and accessories please note that technical data may differ! – Discontinuation date: 31.03.2016