

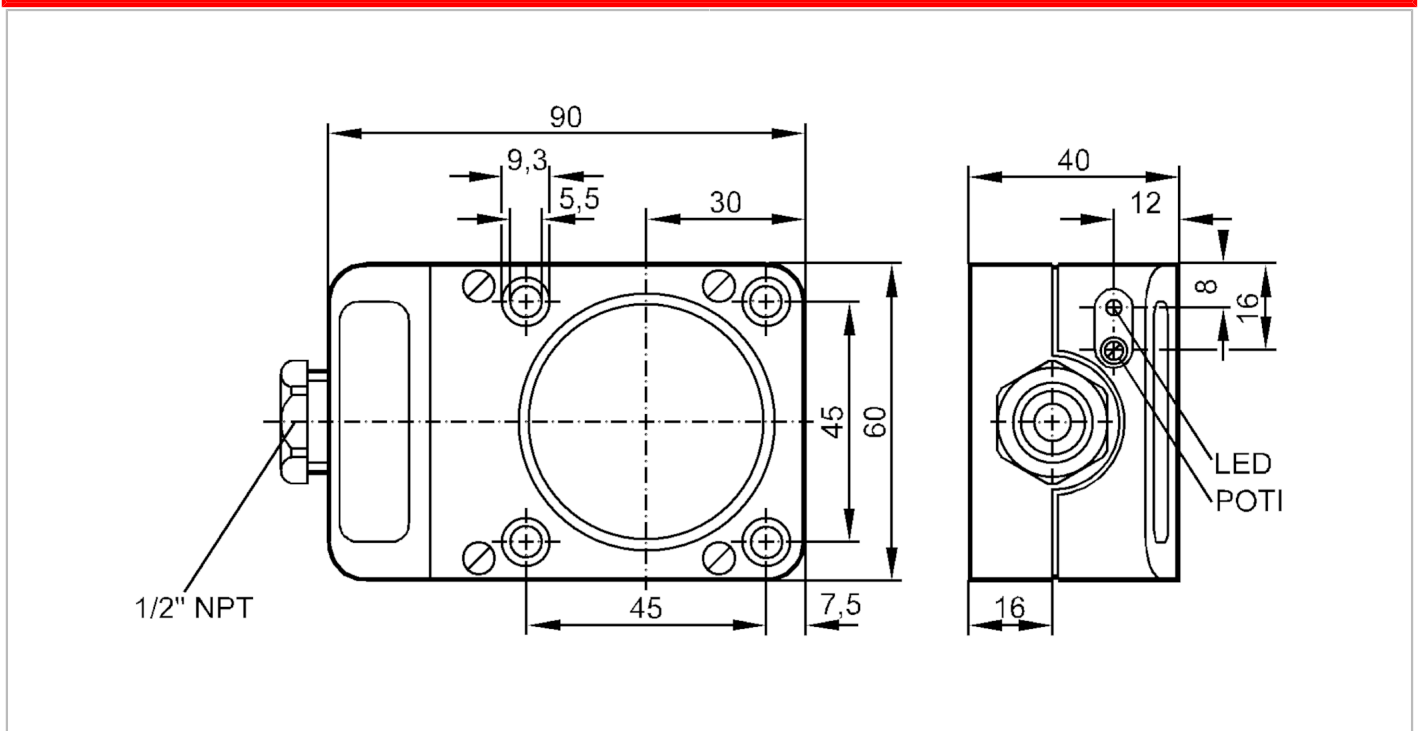
# IC5010



## Inductive sensor

ICE3040-FPKG/NPT

Article no longer available - archive entry



| Product characteristics                              |   |
|--|---|
| Electrical design                                    | PNP   |
| Output function                                      | normally open / normally closed; (selectable) |
| Sensing range [mm]                                   | 40  |
| Housing  | rectangular                                   |
| Dimensions [mm]                                      | 90 x 60 x 40                                  |
| Electrical data                                      |   |
| Operating voltage [V]                                | 10...36 DC                                    |
| Current consumption [mA]                             | 15; (24 V)                                    |
| Protection class                                     | II  |
| Reverse polarity protection                          | yes   |
| Outputs  |   |
| Electrical design                                    | PNP   |
| Output function                                      | normally open / normally closed; (selectable) |
| Max. voltage drop switching output DC [V]            | 2.5   |
| Permanent current rating of switching output DC [mA] | 250   |
| Switching frequency DC [Hz]                          | 15  |
| Short-circuit protection                             | yes   |
| Type of short-circuit protection                     | pulsed  |
| Overload protection                                  | yes   |

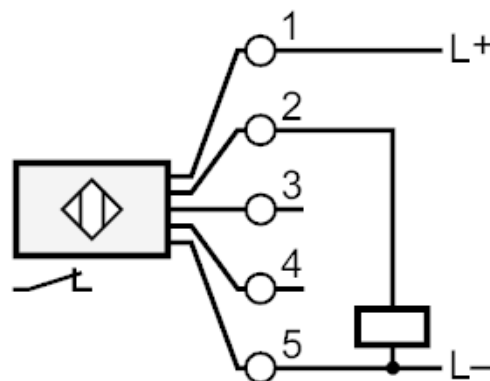
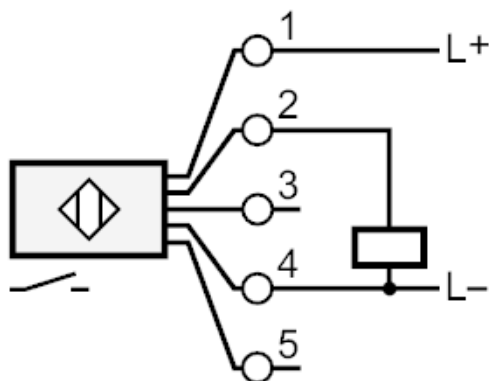
# IC5010



## Inductive sensor

ICE3040-FPKG/NPT

| Detection zone  |                  |   |
|---|------------------|---|
| Sensing range   | [mm]             | 40  |
| Real sensing range Sr   | [mm]             | 40 ± 10 %   |
| Operating distance  | [mm]             | 0...32.4  |
| Accuracy / deviations   |                  |   |
| Correction factor   |                  | steel: 1 / stainless steel: 0.7 / brass: 0.4 / aluminium: 0.3 / copper: 0.2 |
| Hysteresis  | [% of Sr]        | 1...15  |
| Switch point drift  | [% of Sr]        | -10...10  |
| Operating conditions  |                  |   |
| Ambient temperature   | [°C]             | -25...80  |
| Protection  |                  | IP 65   |
| Tests / approvals   |                  |   |
| EMC   |                  | EN 60947-5-2  |
| MTTF  | [years]          | 1261  |
| Mechanical data   |                  |   |
| Weight  | [g]              | 0.278   |
| Housing   |                  | rectangular   |
| Mounting  |                  | non-flush mountable   |
| Dimensions  | [mm]             | 90 x 60 x 40  |
| Materials   |                  | PPE   |
| Displays / operating elements                                 |                  |   |
| Display   | switching status | 1 x LED, red  |
| Accessories   |                  |   |
| Accessories (supplied)  |                  | screwdriver: 1  |
| Remarks   |                  |   |
| Pack quantity   |                  | 1 pcs.  |
| Electrical connection   |                  |   |
| terminals: ...2.5 mm <sup>2</sup> ; Cable sheath: Ø 7...13 mm |                  |   |
| Connection  |                  |   |



# IC5010

## Inductive sensor

ICE3040-FPKG/NPT



Article no longer available - archive entry

---