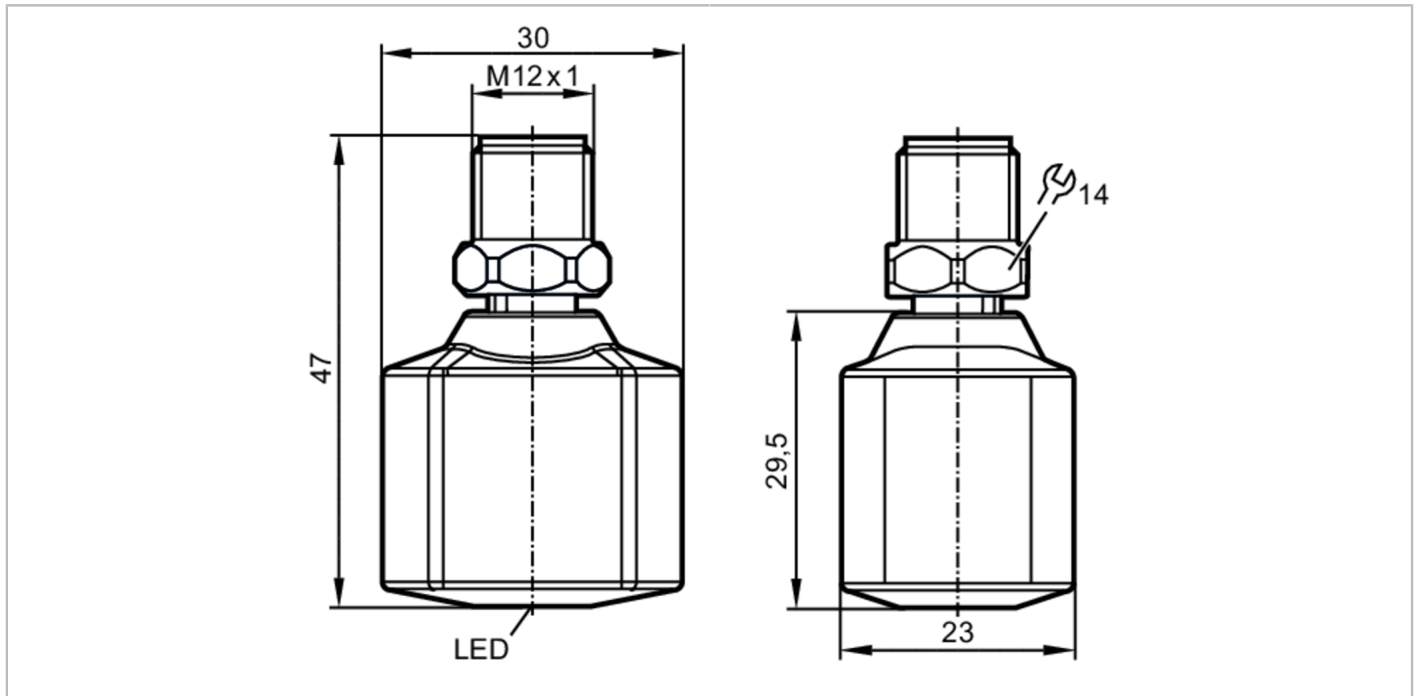




IO-Link Bluetooth adapter

IO-LINK BLUETOOTH ADAPTER MULTI RW



Application	
Special feature	Gold-plated contacts
Application	display of all process values of the sensors connected to the same master; device setup and diagnosis; parameter setting and analysis of units; Nur funktionsfähig mit ifm IO-Link Master ab Firmware 2.1
Radio approval for	EU/RED; Australia; USA; New Zealand; Canada; Japan; Brazil; China; South Africa; Argentina
Note on radio approval	The list of countries applying the European Radio Equipment Directive 2014/53/EU (RED) can be found under "Downloads".
Electrical data	
Operating voltage [V]	18...30 DC
Nominal voltage DC [V]	24
Current consumption [mA]	< 30
Protection class	III
Reverse polarity protection	yes
Power-on delay time [s]	for IO-Link communication < 0,3; Bluetooth < 1
IO-Link Device	
Power-on delay time [s]	< 0.3
Software / programming	
Parameter setting options	process value recording
Interfaces	
Communication interface	IO-Link; Bluetooth

EIO330



IO-Link Bluetooth adapter

IO-LINK BLUETOOTH ADAPTER MULTI RW

Bluetooth		
Transmission standard	BLE 4.0; BLE 4.1; BLE 4.2; EDR 2.0; EDR 2.1	
Frequency band	2,4 - 2,482 GHz	
Transmission power [mW]	10; (10 dBm)	
Range	typ. 20 m	
IO-Link Device		
Transmission type	COM3 (230,4 kBaud)	
IO-Link revision	1.1	
SDCI standard	IEC 61131-9	
Profiles	Identification (0x8000); Diagnosis (0x8003); Extended Identification (0x8100)	
Required master port type	A	
Min. process cycle time [ms]	2.3	
Supported DeviceIDs	DeviceID	
	0x000521	
Operating conditions		
Ambient temperature [°C]	-25...60	
Storage temperature [°C]	-40...70	
Protection	IP 67; IP 69K	
Tests / approvals		
EMC	DIN EN 61000-6-2	
	DIN EN 61000-6-3	in a closed metal tank
Shock resistance	DIN EN 60068-2-27	15 g (6 ms)
Vibration resistance	DIN EN 60068-2-6	2 g (10...150 Hz)
MTTF [years]	281	
UL approval	Ta	-25...60°C °C
	Enclosure type	1
	voltage supply	Low Voltage / Limited Energy
	File number UL	E205959
Mechanical data		
Weight [g]	94	
Materials	stainless steel (1.4404 / 316L); PA; Sealing: FKM;	
Displays / operating elements		
Display	operation Bluetooth failure	1 x LED, three-colour
Remarks		
Remarks		
Pack quantity	1 pcs.	
Electrical connection		
Connector: 1 x M12; coding: A; Contacts: gold-plated		

EIO330

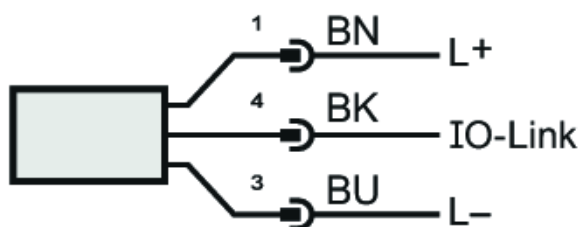


IO-Link Bluetooth adapter

IO-LINK BLUETOOTH ADAPTER MULTI RW



Connection



colours to DIN EN 60947-5-2

Core colours :

BK = black
BN = brown
BU = blue