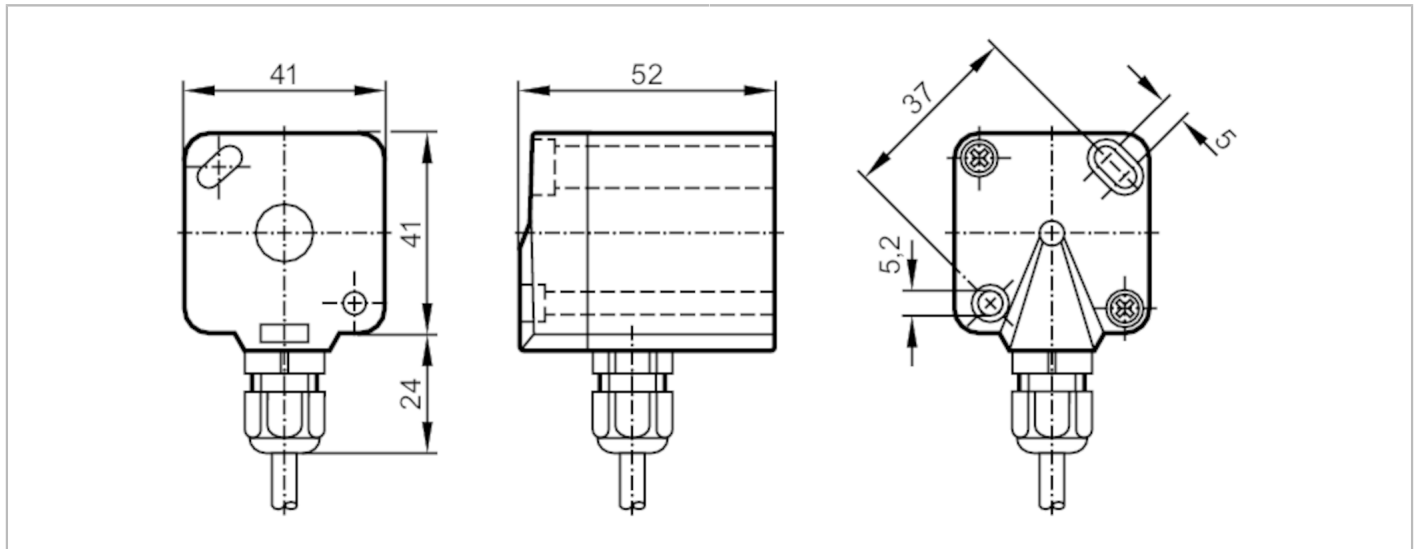




## Inclination sensor

R360/INCLINOMETER/0-10V



Product characteristics	
Number of measurement axes	1
Angular range [°]	± 90
Dimensions [mm]	41 x 41 x 52
Electrical data	
Operating voltage [V]	15...30 DC
Inputs / outputs	
Number of inputs and outputs	Number of analogue outputs: 1
Outputs	
Number of analogue outputs	1
Analogue voltage output [V]	0...10
Measuring/setting range	
Number of measurement axes	1
Angular range [°]	± 90
Accuracy / deviations	
Accuracy [°]	0,1
Repeatability [°]	0,1
Tests / approvals	
MTTF [years]	2122
Mechanical data	
Weight [g]	322.5
Dimensions [mm]	41 x 41 x 52
Tightening torque [Nm]	1.8
Remarks	
Pack quantity	1 pcs.



## Inclination sensor

R360/INCLINOMETER/0-10V

### Electrical connection

Cable: 3.5 m, PUR

### Connection

