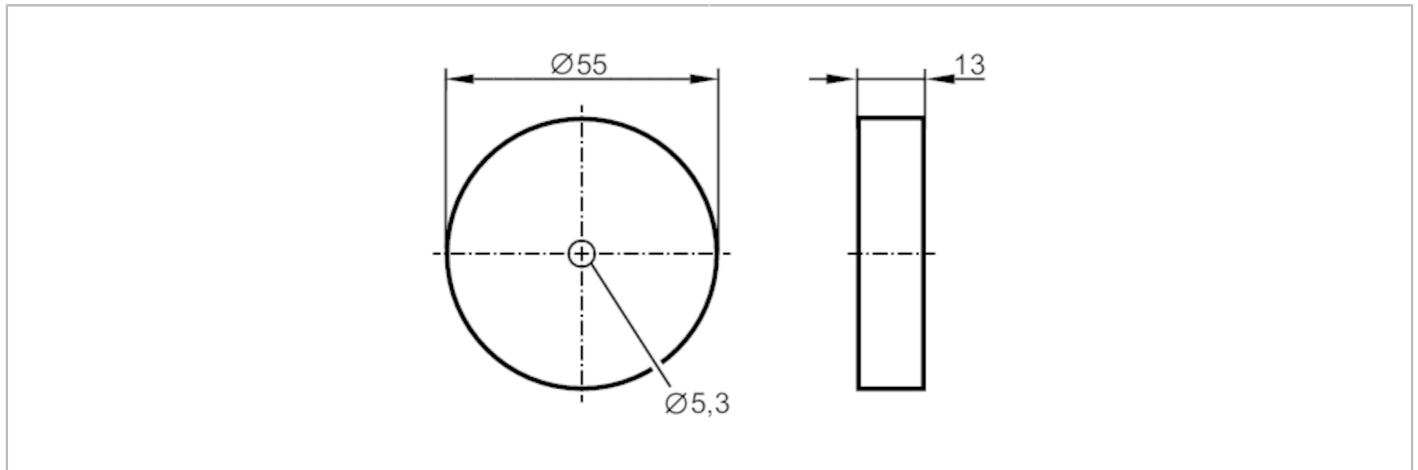


# E80351



## RFID tag

ID-TAG/D55X13/04



Application		
Application	RFID coding of metal tanks	
Operating temperature (active) [°C]	-40...85	
Peak temperature (passive) [°C]	140; (duration of test: 1 x 100 h)	
Electrical data		
Operating frequency [MHz]	865...870	
Memory size [bit]	240	
Max. read cycles	unlimited	
Max. write cycles	100000	
Operating conditions		
Ambient temperature [°C]	-20...85	
Storage temperature [°C]	-40...90	
Protection	IP 68	
Tests / approvals		
Shock resistance	DIN IEC 68-2-29	40 g 18 ms
Vibration resistance	DIN IEC 68-2-6	10 g 10...2000 Hz
Mechanical data		
Weight [g]	32.3	
Dimensions [mm]	Ø 55 / L = 13	
Materials	PA 6	
Remarks		
Remarks	Storage temperature 1 x 1000 h (90 °C), 1 x 100 h (140 °C) \$Direkt_auf_Metall_montierbar ISO-Standard EPC-Global Class 1 Gen 2	
Pack quantity	1 pcs.	