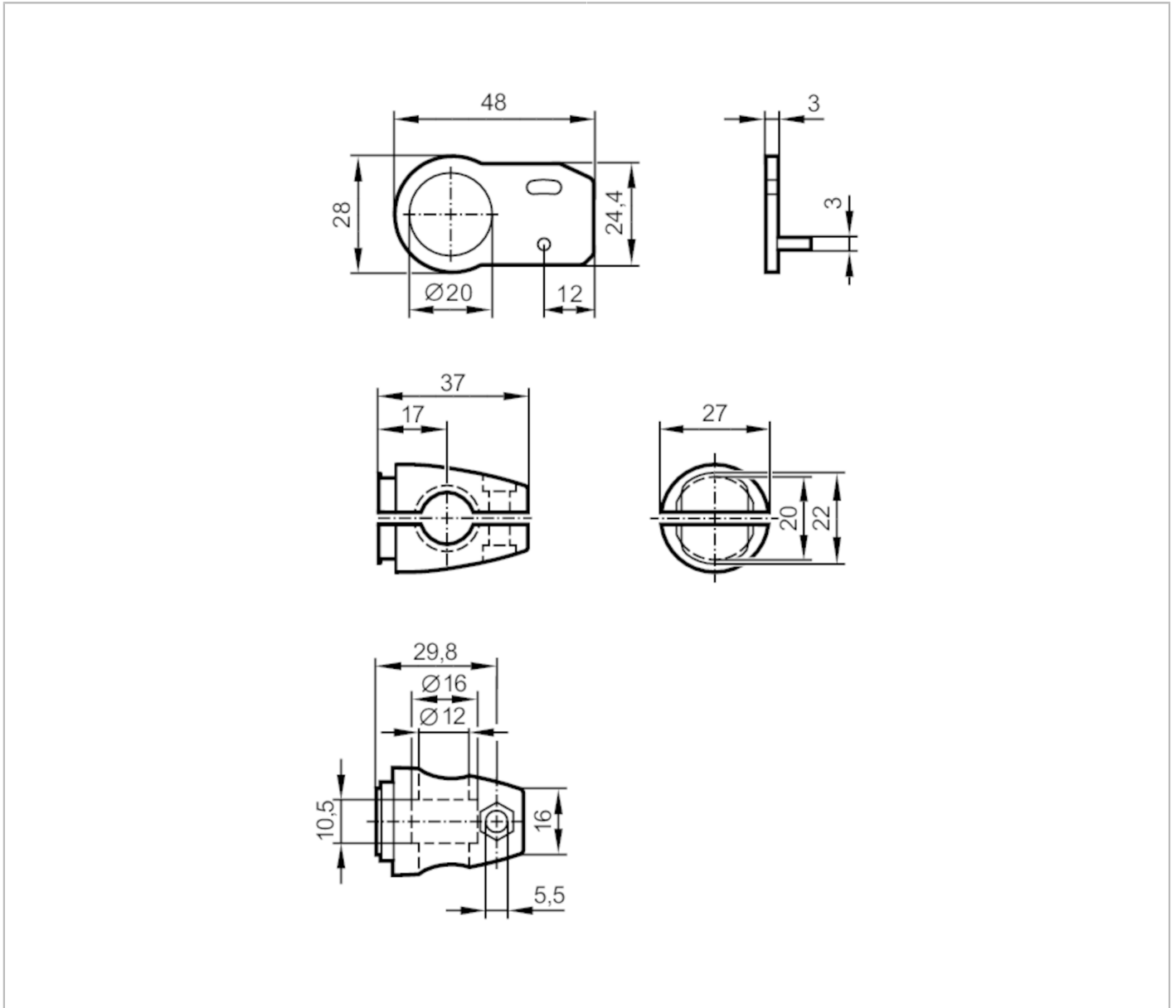


E21297



Mounting set for photoelectric sensors

O8 CLAMP BRACKET 12 MM



Application	
Design	for types O8
Mechanical data	
Weight [g]	91
Type of mounting	Mounting rod; ($\varnothing 12$ mm)
Materials	stainless steel (1.4571/316Ti)
Accessories	
Items supplied	cylinder screws: 1 x M3 x 14, stainless steel
	cylinder screws: 1 x M5 x 16, galvanised steel
	lock nuts: 1 x M3 x 14, stainless steel
	lock nuts: 1 x M5 x 16, galvanised steel
	Clamp: 1
Remarks	
Pack quantity	1 pcs.