

# E12063

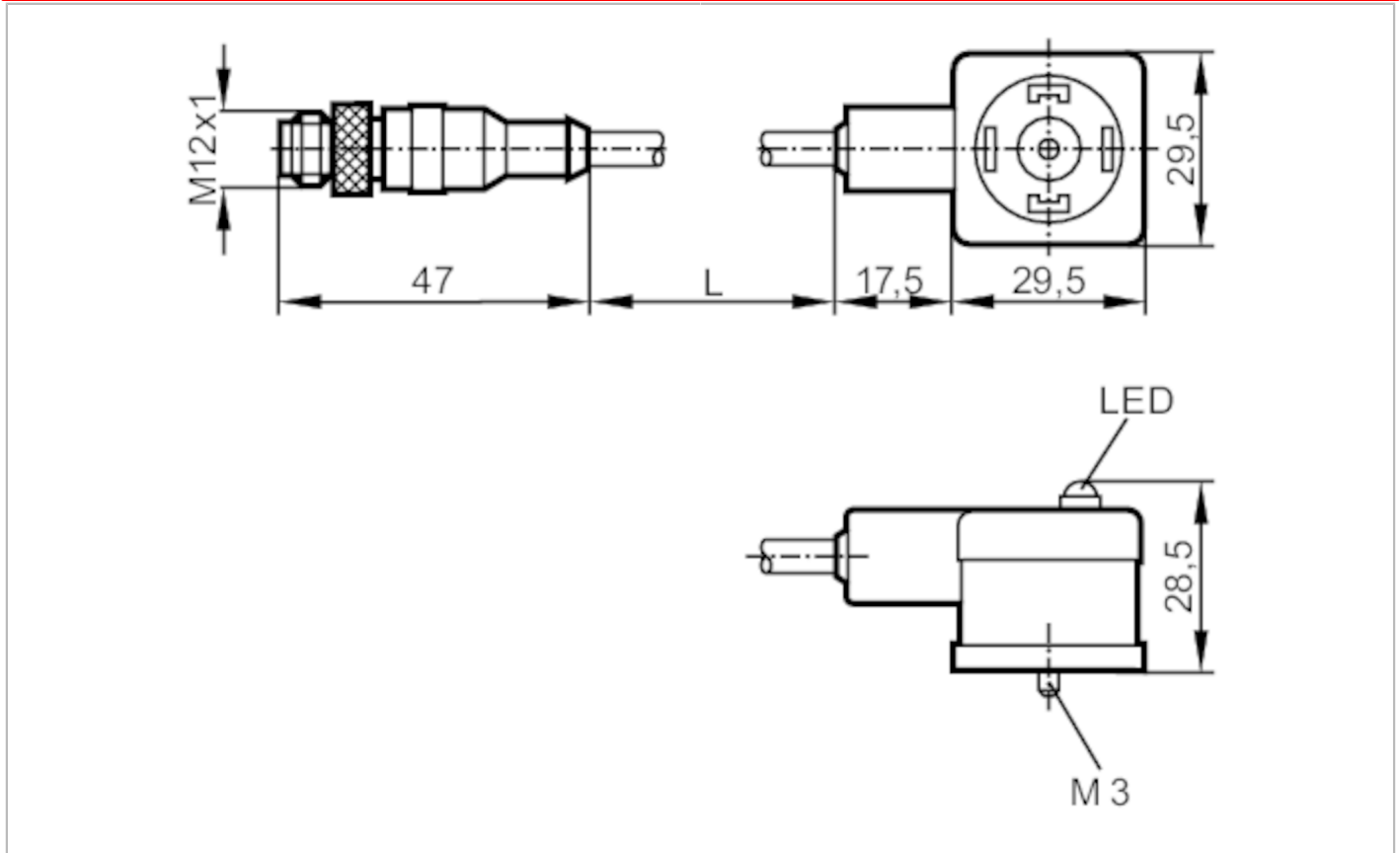


## Connection cable

STGH050MSS0006B03VDAA041--S

Article no longer available - archive entry

Discontinuation date: 31.03.2017



Application		
Special feature	Free from silicone; Halogen-free; Gold-plated contacts	
Free from silicone	yes	
Electrical data		
Operating voltage [V]	< 24 AC/DC	
Overvoltage protection	free-wheeling diode	
Operating conditions		
Ambient temperature [°C]	-25...90	
Protection	IP 67	
Mechanical data		
Weight [g]	44	
Materials	TPU	
Material nut	brass, nickel-plated / brass, nickel-plated	
Displays / operating elements		
Display	operation	1 x LED, green
Accessories		
Accessories (supplied)	screw	panel for labelling

# E12063



## Connection cable

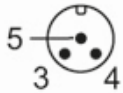
STGH050MSS0006B03VDAA041--S

### Remarks

Notes	discontinued article
Pack quantity	1 pcs.

### Electrical connection - plug

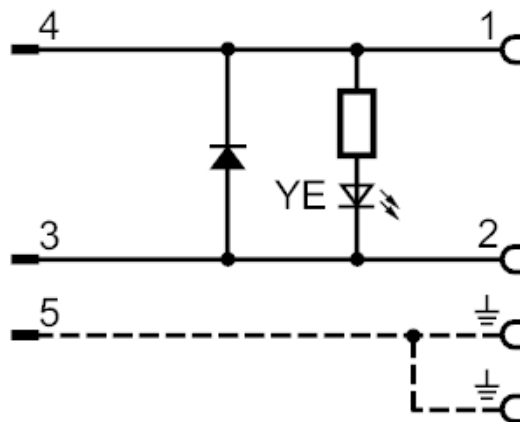
Connector: 1 x M12, straight; Moulded body: TPU; Locking: brass, nickel-plated; Contacts: gold-plated



### Electrical connection

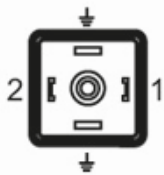
Cable: 6 m, PUR / PVC, Halogen-free; 3 x 0.5 mm<sup>2</sup> (42 x Ø 0.1 mm )

### Connection



### Electrical connection - socket

Connector: 1 x valve type A DIN, angled; Moulded body: TPU; Locking: brass, nickel-plated; Contacts: nickel-plated brass



Article no longer available - archive entry

Discontinuation date: 31.03.2017