

# E11562

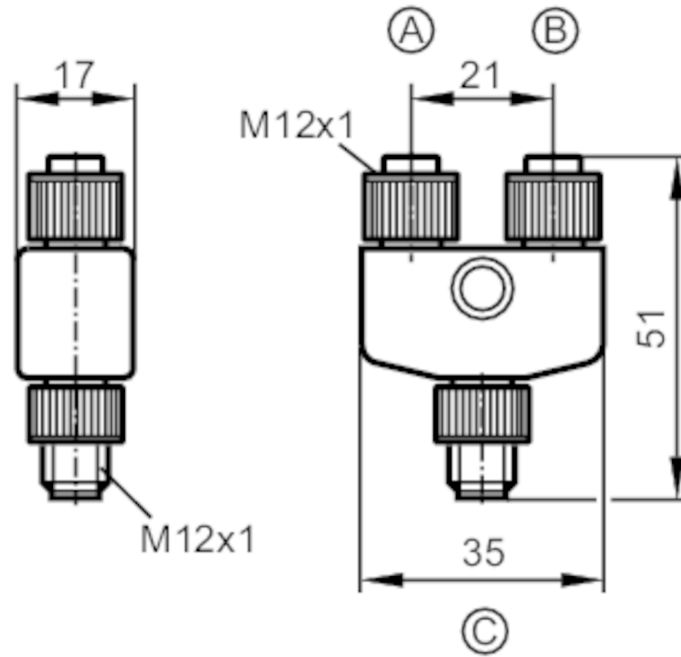


## Y-splitter

T SPLITTER M12/2XUS

Article no longer available - archive entry

replaced by: EBC113 – Discontinuation date: 31.03.2016



### Electrical data

Operating voltage	[V]	< 30 AC / < 36 DC
Max. current load per module/slot	[A]	4
Max. current load total	[A]	4

### Operating conditions

Ambient temperature	[°C]	-25...90
Protection		IP 68

### Mechanical data

Weight	[g]	34.8
Materials		PUR

### Remarks

Notes		discontinued article
Pack quantity		1 pcs.

# E11562

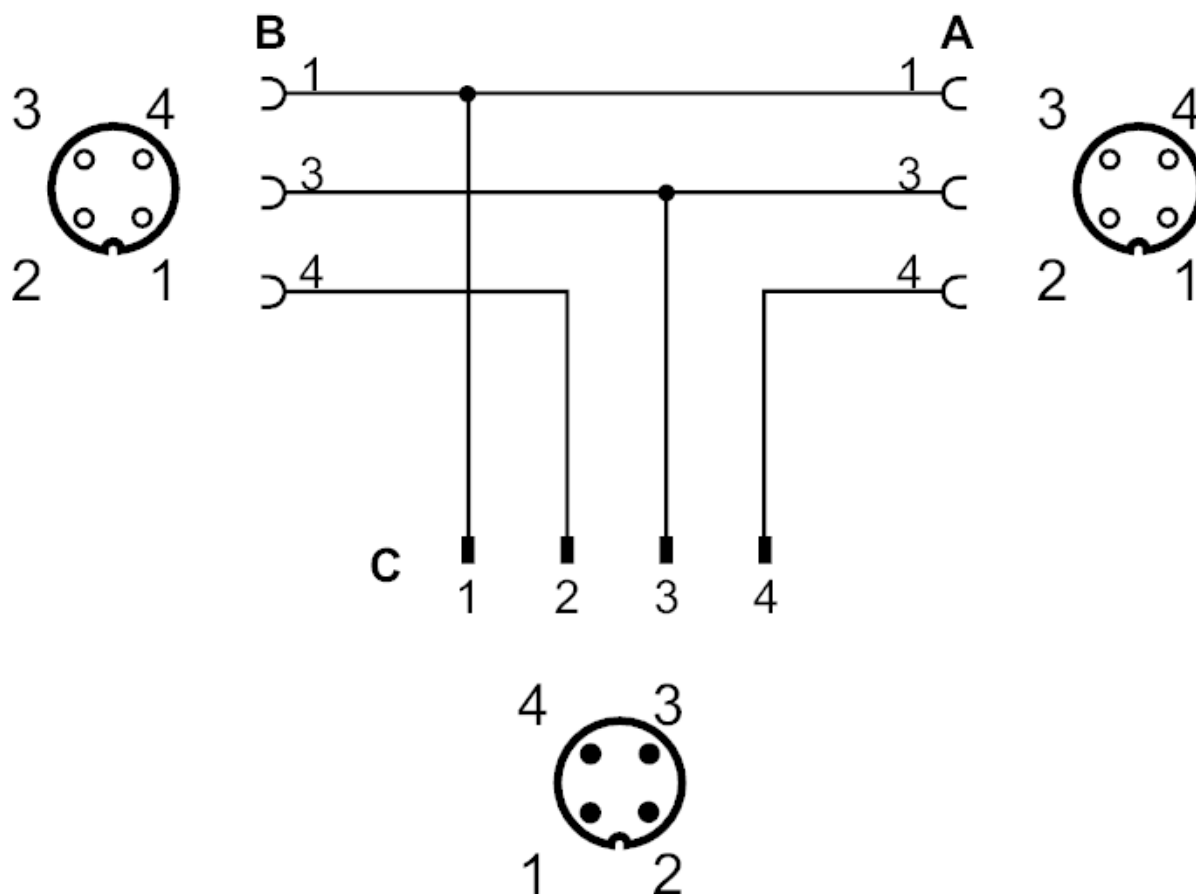


## Y-splitter

T SPLITTER M12/2XUS

### Electrical connection

#### Connection



Article no longer available - archive entry

replaced by: EBC113 – Discontinuation date: 31.03.2016