

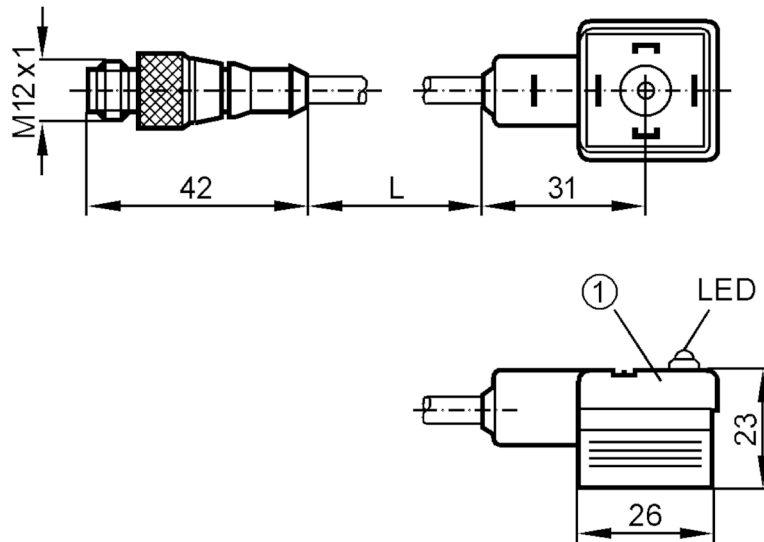
E10675



Jumper cable with valve plug

VVSAC041--S0003B03STGH040MSS

Article no longer available - archive entry



1 black

Electrical data

Operating voltage [V] < 24 AC/DC

Operating conditions

Ambient temperature [°C] -25...90

Protection IP 65

Mechanical data

Materials TPU

Material nut brass, nickel-plated / brass, nickel-plated

Displays / operating elements

Display switching status 1 x LED, yellow

Remarks

Pack quantity 1 pcs.

Electrical connection - plug

Connector: 1 x M12, straight; Moulded body: TPU; Locking: brass, nickel-plated



E10675



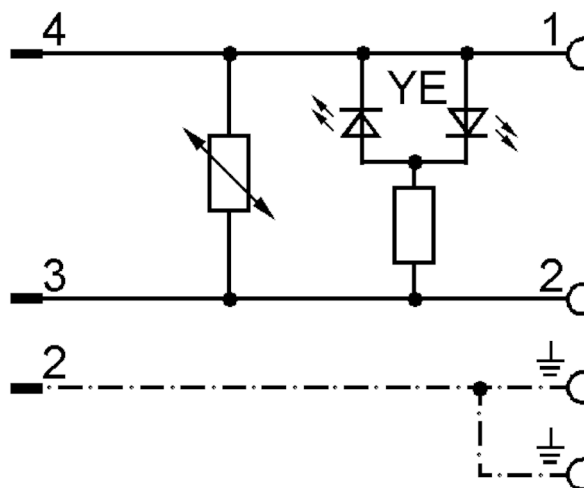
Jumper cable with valve plug

VVSAC041--S0003B03STGH040MSS

Electrical connection

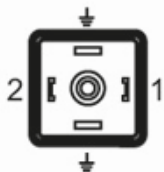
Cable: 3 m, PUR; 3 x 0.34 mm²

Connection



Electrical connection - socket

Connector: 1 x valve type A DIN, angled; Moulded body: TPU; Locking: brass, nickel-plated



Article no longer available - archive entry