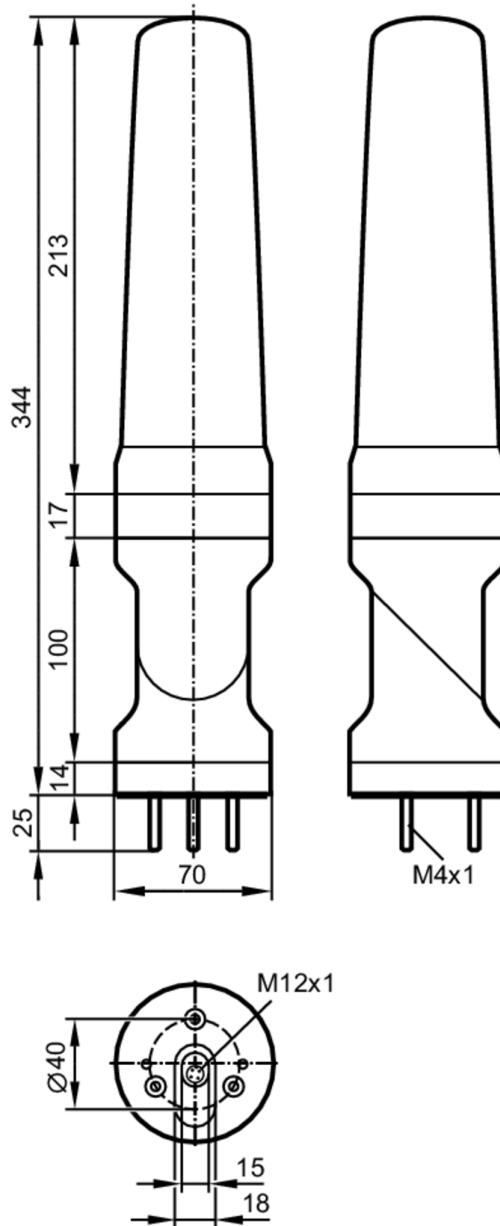


DV2900



20-LED light tower

LED-Tower-20-a/IOL/Bracket



Application

Application: signalling machine conditions

Electrical data

Operating voltage [V]	18...30 DC; (to SELV/PELV)
Nominal voltage DC [V]	24
Current consumption [mA]	< 200
Switch-on peak current [mA]	500; (2 ms; 400 mA: 50 ms)

Inputs

Input current High [mA]	6
-------------------------	---

DV2900



20-LED light tower

LED-Tower-20-a/IOL/Bracket

Interfaces		
Communication interface	IO-Link	
Transmission type	COM2 (38,4 kBaud)	
IO-Link revision	1.1	
SDCI standard	IEC 61131-9	
SIO mode	yes	
Required master port type	A	
Min. process cycle time [ms]	3.2	
Supported DeviceIDs	Type of operation	DeviceID
	Default	841

Operating conditions		
Ambient temperature [°C]	-25...50	
Storage temperature [°C]	-40...75	
Max. relative air humidity [%]	90	
Air pressure [kPa]	< 106	
Max. height above sea level [m]	2000	
Protection	IP 65	

Mechanical data		
Weight [g]	535.9	
Type of mounting	Mounting base	
Dimensions [mm]	Ø 70 / L = 344	
Materials	housing: ABS; lens: PC	

Displays / operating elements		
Display	LED segment	20 x LEDs, multi-colour

Accessories		
Accessories (optional)	mounting base, E89060	
	wall bracket, E89061	
	Mounting adapter, E89063	
	bracket with lateral cable entry, E89064	
	mounting tube, E89065	
	mounting tube, E89066	
mounting tube, E89067		

Remarks		
Remarks	For further information please see the operating instructions.	
Pack quantity	1 pcs.	

Electrical connection - plug

Connector: M12; coding: A



DV2900



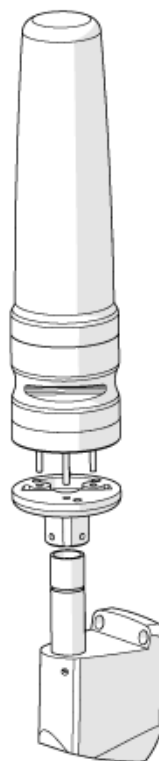
20-LED light tower

LED-Tower-20-a/IOL/Bracket

1	UB+
2	not used
3	UB-
4	IO-Link (C/Q)

Diagrams and graphs

wall mounting



DV2900

20-LED light tower

LED-Tower-20-a/IOL/Bracket



base mounting

