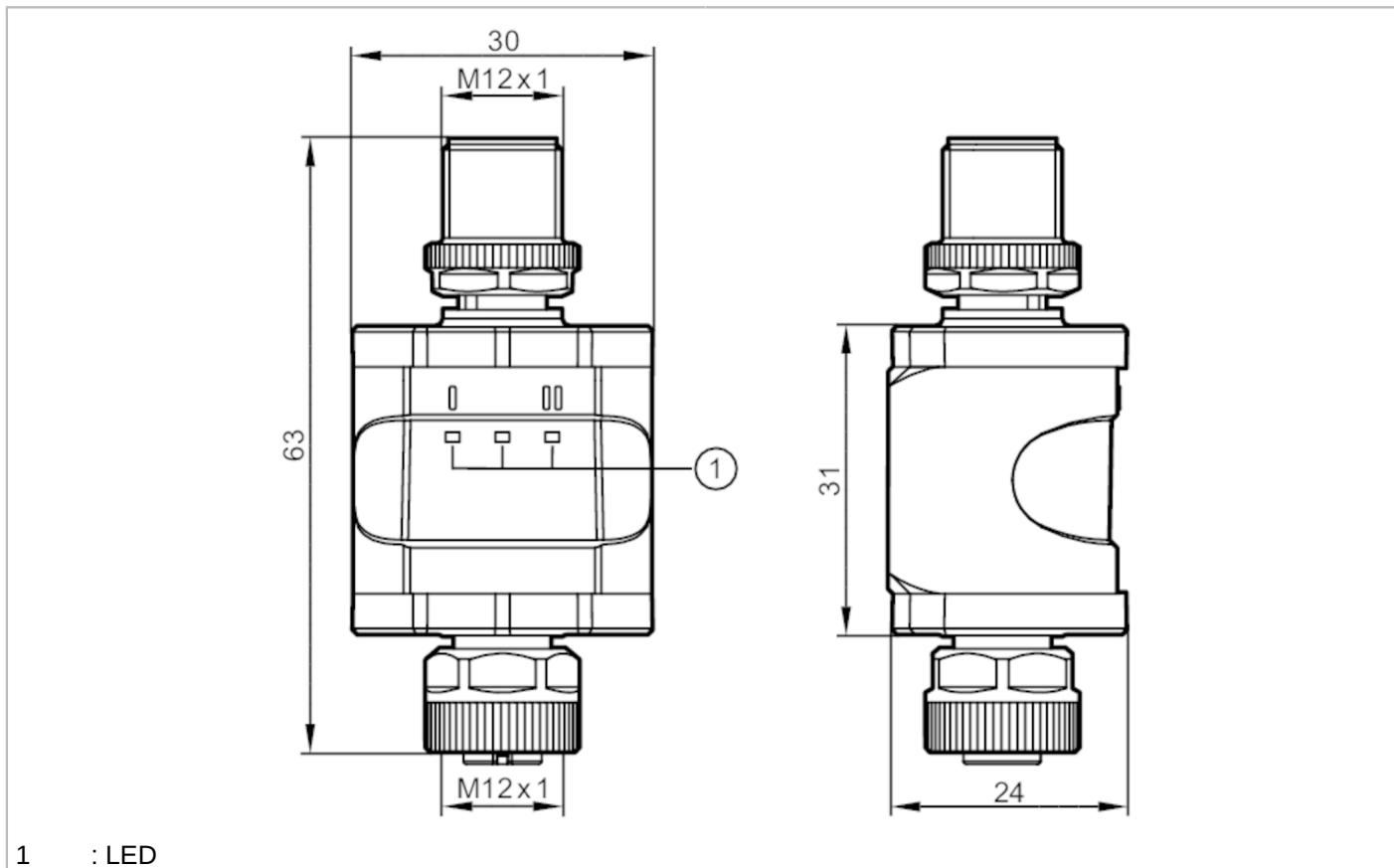


# DP1222



## Converter 0...10 V - IO-Link

Converter 2x0-10V/IO-Link



Product characteristics	
Number of inputs and outputs	Number of analogue inputs: 2
Electrical data	
Operating voltage [V]	18...30 DC; (to SELV/PELV)
Nominal voltage DC [V]	24
Current consumption [mA]	< 380
Inputs / outputs	
Number of inputs and outputs	Number of analogue inputs: 2
Inputs	
Max. total current rating of inputs [mA]	200
Number of analogue inputs	2
Analogue input (voltage) [V]	0...10

# DP1222



## Converter 0...10 V - IO-Link

Converter 2x0-10V/IO-Link

Interfaces		
Communication interface	IO-Link	
Transmission type	COM2 (38,4 kBaud)	
IO-Link revision	1.1	
SDCI standard	IEC 61131-9	
Profiles	Smart Sensor 0x4000: Identification and Diagnosis 0x8001: Switching Signal Channel 0x8006: Adjustable Switching Signal Channel	
SIO mode	no	
Required master port type	A/B	
Process data analogue	2	
Supported DeviceIDs	Type of operation	DeviceID
	DP1222	613
	DP1222_STATUS_B / CMPT = 2 (Factory setting)	1428
DP1222 / CMPT = 1		
Min. process cycle time	[ms]	4.3
DP1222_STATUS_B / CMPT = 2 (Factory setting)		
Min. process cycle time	[ms]	4.6
Operating conditions		
Ambient temperature	[°C]	-25...70
Note on ambient temperature		2000 m: -25...70 °C
		3000 m: -25...64 °C
		4000 m: -25...62 °C
Storage temperature	[°C]	-25...70
Max. relative air humidity	[%]	90; (linearly decreasing to 50 % (40 °C) non condensing)
Max. height above sea level	[m]	4000
Protection		IP 67
Degree of soiling		2
Tests / approvals		
MTTF	[years]	504
Mechanical data		
Weight	[g]	92
Materials		housing: PA
Displays / operating elements		
Display	operation	1 x LED, green
	analogue input	2 x LED, yellow
Accessories		
Accessories (optional)		mounting clip
Remarks		
Remarks	For further information please see the operating instructions.	
Pack quantity	1 pcs.	

# DP1222



## Converter 0...10 V - IO-Link

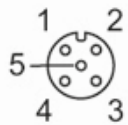
Converter 2x0-10V/IO-Link

### Electrical connection - plug



1:	L+
2:	not used
3:	L-
4:	C/Q IO-Link

### Electrical connection - socket



1:	L+
2:	0...10 V analogue input 2
3:	L-
4:	0...10 V analogue input 1
5:	not used