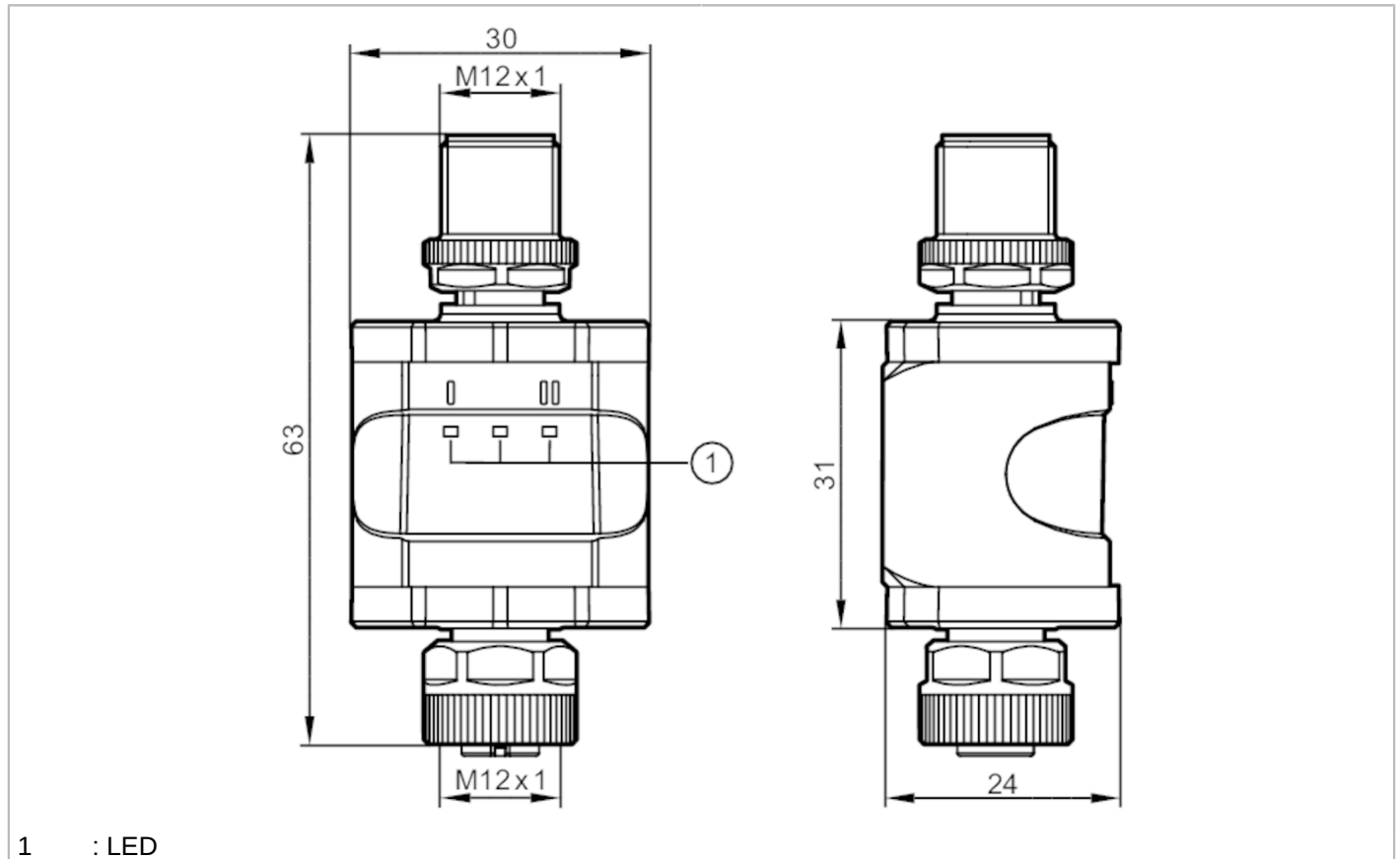


DP1213



Converter IO-Link - 4...20 mA

Converter IO-Link/2x4-20mA



Product characteristics

Number of inputs and outputs Number of analogue outputs: 2

Electrical data

Operating voltage	[V]	18...30 DC; (to SELV/PELV)
Nominal voltage DC	[V]	24
Current consumption	[mA]	300
Max. current load total	[A]	0.2

Inputs / outputs

Number of inputs and outputs Number of analogue outputs: 2

Outputs

Number of analogue outputs		2
Analogue current output	[mA]	4...20
Max. load	[Ω]	300
Precision analogue output	[%]	0,25

DP1213



Converter IO-Link - 4...20 mA

Converter IO-Link/2x4-20mA

Interfaces		
Communication interface	IO-Link	
Transmission type	COM2 (38,4 kBaud)	
IO-Link revision	1.1	
SDCI standard	IEC 61131-9	
Profiles	Smart Sensor	
SIO mode	no	
Required master port type	A/B	
Process data analogue	2	
Min. process cycle time [ms]	3.6	
Supported DeviceIDs	Type of operation	DeviceID
	Default	612

Operating conditions		
Ambient temperature [°C]	-25...70	
Note on ambient temperature	2000 m:	-25...70 °C
	3000 m:	-25...64 °C
	4000 m:	-25...62 °C
Storage temperature [°C]	-25...70	
Max. relative air humidity [%]	90; (linearly decreasing to 50 % (40 °C) non condensing)	
Max. height above sea level [m]	4000	
Protection	IP 67	
Degree of soiling	2	

Tests / approvals		
MTTF [years]	352	

Mechanical data		
Weight [g]	91.5	
Materials	housing: PA	

Displays / operating elements		
Display	operation	1 x LED, green
	analogue output	2 x LED, yellow

Accessories		
Accessories (optional)	mounting clip	

Remarks		
Remarks	For further information please see the operating instructions.	
Pack quantity	1 pcs.	

Electrical connection - plug		
		

DP1213

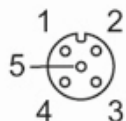


Converter IO-Link - 4...20 mA

Converter IO-Link/2x4-20mA

1:	L+
2:	not used
3:	L-
4:	C/Q IO-Link

Electrical connection - socket



1:	L+
2:	4...20 mA analogue output 2
3:	L-
4:	4...20 mA analogue output 1
5:	not used