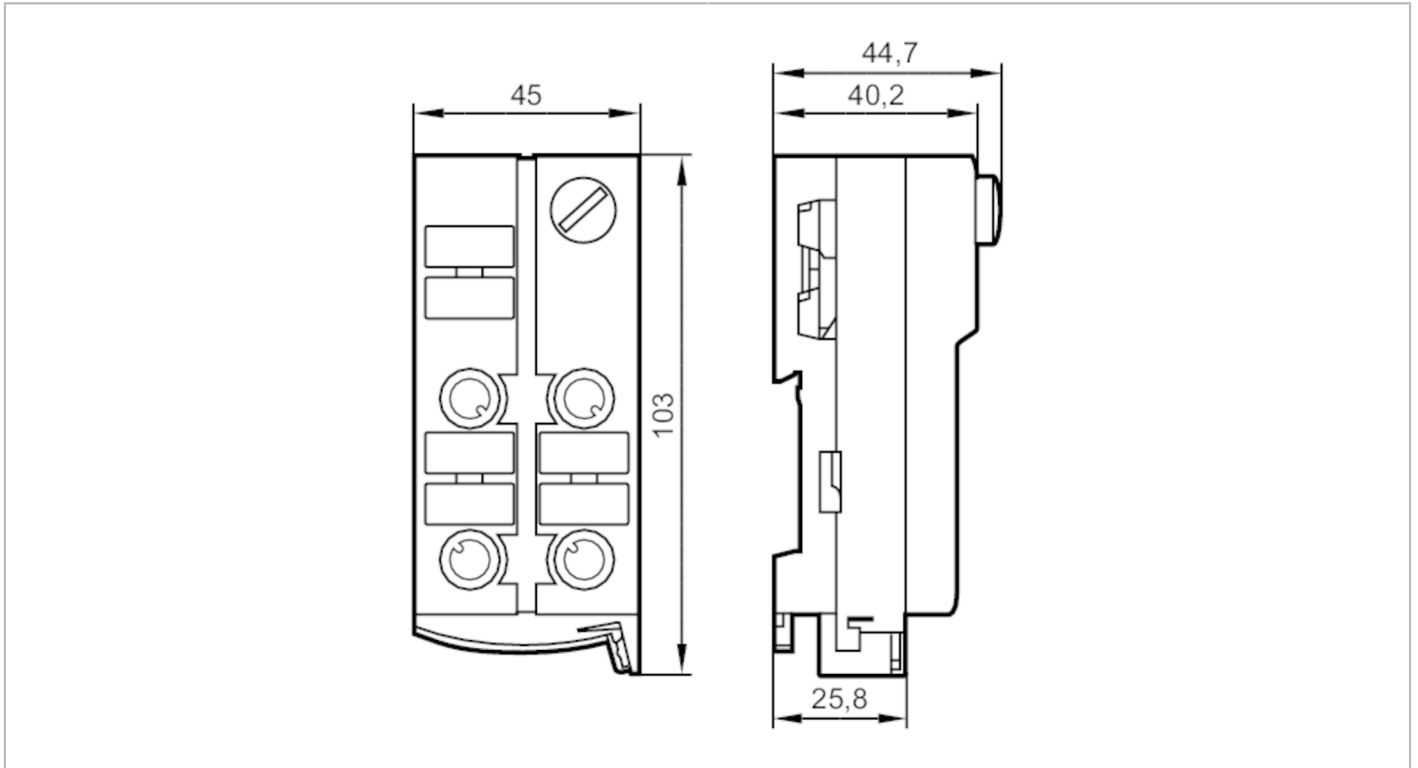


# AC515A



## AS-Interface ClassicLine module with quick mounting technology

ClassicLine 4DI-Y II 3D



| Electrical data                                 |                             |
|---|-----------------------------|
| Operating voltage [V]                           | 26.5...31.6 DC              |
| Max. current consumption from AS-i [mA]         | 250                         |
| Inputs / outputs                                |                             |
| Number of inputs and outputs                    | Number of digital inputs: 4 |
| Inputs  |                             |
| Number of digital inputs                        | 4                           |
| Input circuit of digital inputs                 | PNP                         |
| Sensor supply of the inputs                     | AS-i                        |
| Voltage supply [V]                              | 18...30; (via flat cable)   |
| Max. total current rating of inputs [mA]        | 200                         |
| Input current High [mA]                         | 6...10                      |
| Input current Low [mA]                          | 0...2                       |
| Min. switching level high signal [V]            | 11                          |
| Digital inputs protected against short circuits | yes                         |
| Operating conditions                            |                             |
| Ambient temperature [°C]                        | -10...50                    |
| Protection                                      | IP 50                       |



## AS-Interface ClassicLine module with quick mounting technology

ClassicLine 4DI-Y II 3D

| Tests / approvals                 |  |             |           |       |           |
|-----------------------------------|--|-------------|-----------|-------|-----------|
| ATEX marking                      | II 3D Ex tc IIIB T80°C Dc X IP50   |             |           |       |           |
| EMC                               | EN 50295   |             |           |       |           |
|                                   | IEC 61000-6-2  |             |           |       |           |
| MTTF [years]                      |  |             |           | 405   |           |
| AS-i classification               |  |             |           |       |           |
| AS-i version                      | 2.11 + 3.0   |             |           |       |           |
| AS-i addressing                   | addressing socket  |             |           |       |           |
| Extended addressing mode possible | yes  |             |           |       |           |
| AS-i profile                      | S-0.A.E  |             |           |       |           |
| AS-i I/O configuration [hex]      | 0  |             |           |       |           |
| AS-i ID code [hex]                | A.E  |             |           |       |           |
| AS-i certificate pending          | yes  |             |           |       |           |
| Assignment of the data bits       | data bit   | D0          | D1        | D2    | D3        |
|                                   | input  | 1           | 2         | 3     | 4         |
|                                   | socket   | I-1/2       | I-1/2 I-2 | I-3/4 | I-3/4 I-4 |
|                                   | pin  | 4           | 2 4       | 4     | 2 4       |
| Mechanical data                   |  |             |           |       |           |
| Weight [g]                        | 228  |             |           |       |           |
| Type of mounting                  | AS-i flat cables directly connectable  |             |           |       |           |
| Materials                         | PA; piercing contacts: CuSn6 nickel-plated and tin-plated  |             |           |       |           |
| Displays / operating elements     |  |             |           |       |           |
| Display                           | operation  | LED, green  |           |       |           |
|                                   | errors   | LED, red    |           |       |           |
|                                   | function   | LED, yellow |           |       |           |
| Accessories                       |  |             |           |       |           |
| Accessories (supplied)            | lower part   |             |           |       |           |
| Accessories (optional)            | Protective cap: M12, E73004  |             |           |       |           |
|                                   | Impact protection housing, E7000A  |             |           |       |           |
| Remarks                           |  |             |           |       |           |
| Remarks                           | Mechanical protection has to be implemented.   |             |           |       |           |
|                                   | Otherwise the unit must be installed together with the impact protection housing (E7000A).             |             |           |       |           |
|                                   | Do not connect any of the following points to an external potential:<br>I-, I+, I-1/2, I-2, I-3/4, I-4 |             |           |       |           |
| Pack quantity                     | The connections are electrically connected with the AS-i cable.  |             |           |       |           |
|                                   | 1 pcs.   |             |           |       |           |

# AC515A



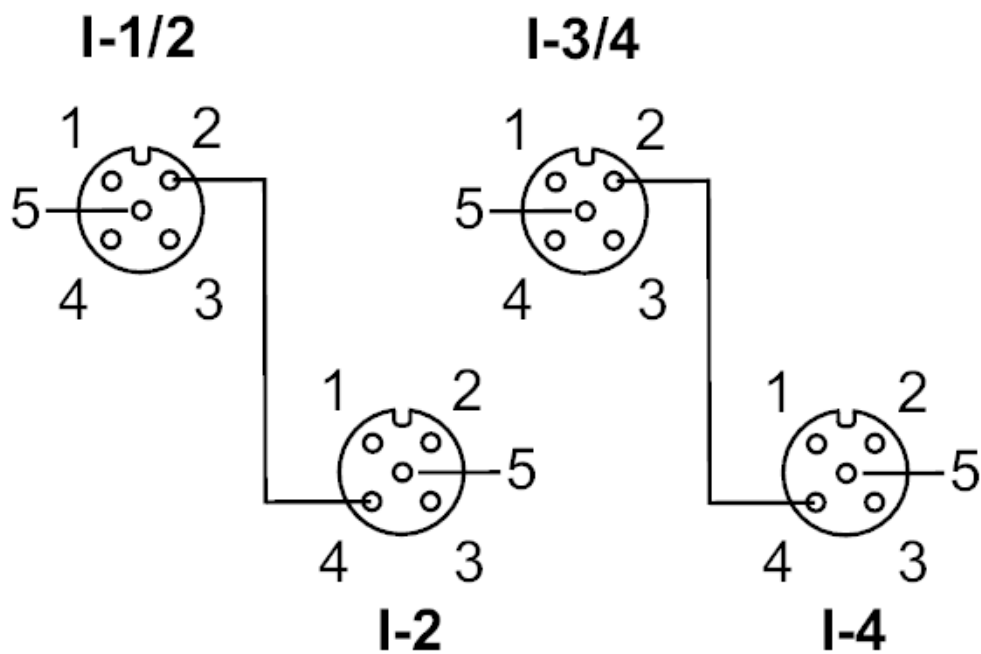
## AS-Interface ClassicLine module with quick mounting technology

ClassicLine 4DI-Y II 3D

### Electrical connection

quick mounting technology for AS-i flat cable: ; three orientations possible

### Connection



# AC515A



## AS-Interface ClassicLine module with quick mounting technology

ClassicLine 4DI-Y II 3D

|   | Inputs            |
|---|-------------------|
|   | socket I-1/2      |
| 1 | Sensor supply L+  |
| 2 | data input 2      |
| 3 | Sensor supply L-  |
| 4 | data input 1      |
| 5 | not used          |
|   | socket I-2        |
| 1 | Sensor supply L+  |
| 2 | not used          |
| 3 | Sensor supply L-  |
| 4 | data input 2      |
| 5 | not used          |
|   | socket I-3/4      |
| 1 | voltage supply L+ |
| 2 | data input 4      |
| 3 | Sensor supply L-  |
| 4 | data input 3      |
| 5 | not used          |
|   | socket I-4        |
| 1 | Sensor supply L+  |
| 2 | not used          |
| 3 | Sensor supply L-  |
| 4 | data input 4      |
| 5 | not used          |

Connector: M12