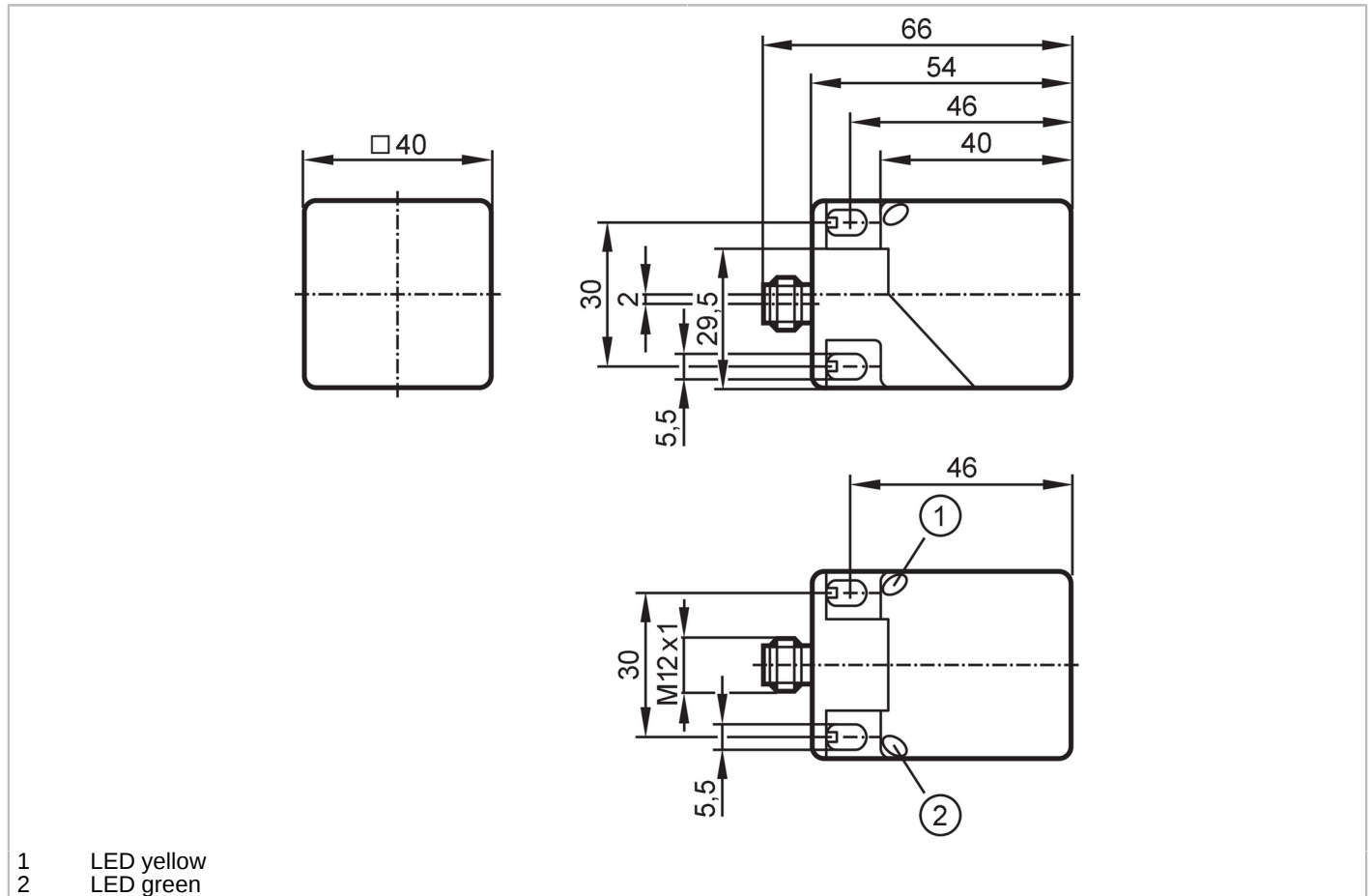


IM5119



Inductive sensor

IMC3020UBPKG/K1/SC/US-100-DPS



Product characteristics		
Electrical design		PNP
Output function		normally open
Sensing range	[mm]	20
Housing		rectangular
Dimensions	[mm]	40 x 40 x 54
Application		
Special feature		correction factor = 1; Magnetic-field immune
Application		Inductive sensors for welding applications
Magnetic-field immune		yes
Max. electromagnetic field immunity	[mT]	300
Electrical data		
Operating voltage	[V]	10...36 DC
Current consumption	[mA]	< 20
Protection class		II
Reverse polarity protection		yes
Outputs		
Electrical design		PNP

IM5119



Inductive sensor

IMC3020UBPKG/K1/SC/US-100-DPS

Output function		normally open
Max. voltage drop switching output DC [V]		2.5
Permanent current rating of switching output DC [mA]		200
Switching frequency DC [Hz]		200
Short-circuit protection		yes
Type of short-circuit protection		yes (non-latching)
Overload protection		yes

Monitoring range		
Sensing range [mm]		20
Real sensing range Sr [mm]		20 ± 10 %
Operating distance [mm]		0...16.2

Accuracy / deviations		
Correction factor		steel: 1 / stainless steel: 1 / brass: 1 / aluminum: 1 / copper: 1
Hysteresis [% of Sr]		1...20
Switch-point drift [% of Sr]		-10...10
Correction factor = 1		yes

Operating conditions		
Ambient temperature [°C]		-25...70
Protection		IP 67

Tests / approvals		
EMC	EN 61000-4-2 ESD	8 kV CD / 4 kV AD
	EN 61000-4-3 HF radiated	10 V/m
	EN 61000-4-4 Burst	2 kV
	EN 61000-4-5 Surge	0,5 kV line to line, Ri: 2 Ohm
	EN 61000-4-6 HF conducted	10 V
	EN 55011	class B
MTTF [years]		1165
UL approval	Ta	-25...70 °C
	Enclosure type	Type 1
	voltage supply	Class 2
	File number UL	E174191

Mechanical data		
Weight [g]		141.5
Housing		rectangular
Sensing face		5 positions selectable
Mounting		flush mountable
Dimensions [mm]		40 x 40 x 54
Material		housing: PA weld coated; sensing face: PA black weld coated; bevelled housing part: PA; clamp: orange; screw: stainless steel (1.4567 / 304Cu)

Displays / operating elements		
Display	Switching status	1 x LED, yellow
	Power	1 x LED, green

IM5119



Inductive sensor

IMC3020UBPKG/K1/SC/US-100-DPS

Remarks

Pack quantity 1 pcs.

Electrical connection - plug

Connector: 1 x M12; coding: A; Contacts: 4; Locking: locking, rotatable, stainless steel (1.4404 / 316L)



Connection

