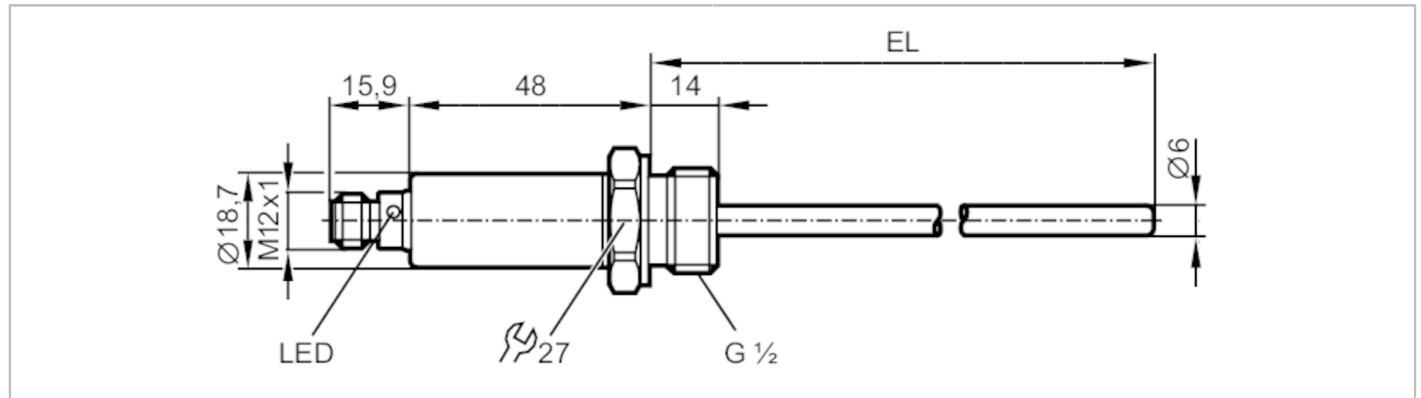


TA2415



Temperature transmitter

TA-050CLER12-A-ZVG/US



| Product characteristics | |
|------------------------------|--|
| Number of inputs and outputs | Number of analogue outputs: 1 |
| Measuring range [°C] | -50...150 |
| Process connection | threaded connection G 1/2 |
| Installation length EL [mm] | 50 |
| Application | |
| Special feature | Gold-plated contacts |
| Measuring element | 1 x Pt 1000; (to DIN EN 60751, class A) |
| Media | liquids and gases |
| Pressure rating [bar] | 300 |
| Note on pressure rating | sensor When mounted in adapters the specifications of the adapter data sheet apply. |
| Electrical data | |
| Operating voltage [V] | 18...32 DC; ("supply class 2" to cULus) |
| Current consumption [mA] | < 50 |
| Protection class | III |
| Reverse polarity protection | yes |
| Power-on delay time [s] | 1 |
| Inputs / outputs | |
| Number of inputs and outputs | Number of analogue outputs: 1 |
| Outputs | |
| Total number of outputs | 1 |
| Output signal | analogue signal; IO-Link; (configurable) |
| Number of analogue outputs | 1 |
| Analogue current output [mA] | 4...20 |
| Max. load [Ω] | 250; ((18...19 V); 19...32 V: 300 Ω) |
| Short-circuit protection | yes |
| Overload protection | yes |
| Measuring/setting range | |
| Measuring range [°C] | -50...150 |
| Factory setting | -50...150 °C |

TA2415



Temperature transmitter

TA-050CLER12-A-ZVG/US

| Resolution | | |
|---|---------|---|
| Resolution of analogue output | [K] | 0.04 |
| Accuracy / deviations | | |
| Precision analogue output | [K] | $\pm 0,3 + (\pm 0,1 \% MS)$ |
| Temperature coefficient [% of the span / 10 K] | | 0,1; (in case of deviation from the reference condition $25 \pm 5 \text{ }^\circ\text{C}$) |
| Response times | | |
| Dynamic response T05 / T09 | [s] | 1 / 3 |
| Interfaces | | |
| Communication interface | | IO-Link |
| Transmission type | | COM2 (38,4 kBaud) |
| IO-Link revision | | 1.1 |
| Operating conditions | | |
| Ambient temperature | [°C] | -25...80 |
| Storage temperature | [°C] | -40...100 |
| Protection | | IP 67; IP 68; IP 69K |
| Tests / approvals | | |
| EMC | | DIN EN 61000-6-2 |
| Shock resistance | | DIN IEC 68-2-27 |
| Vibration resistance | | DIN IEC 68-2-6 |
| MTTF | [years] | 572 |
| UL approval | | UL Approval no. K002 |
| Mechanical data | | |
| Weight | [g] | 130 |
| Materials | | stainless steel (1.4404 / 316L); PEI; FKM |
| Materials (wetted parts) | | stainless steel (1.4404 / 316L); O-ring: FKM |
| Tightening torque | [Nm] | 45 |
| Process connection | | threaded connection G 1/2 |
| Probe diameter | [mm] | 6 |
| Installation length EL | [mm] | 50 |
| Displays / operating elements | | |
| Display | | operating status |
| | | 1 x LED, green |
| Remarks | | |
| Remarks | | MS = set measuring span |
| Pack quantity | | 1 pcs. |
| Electrical connection | | |
| Connector: 1 x M12; Contacts: gold-plated | | |

TA2415



Temperature transmitter

TA-050CLER12-A-ZVG/US



Connection

