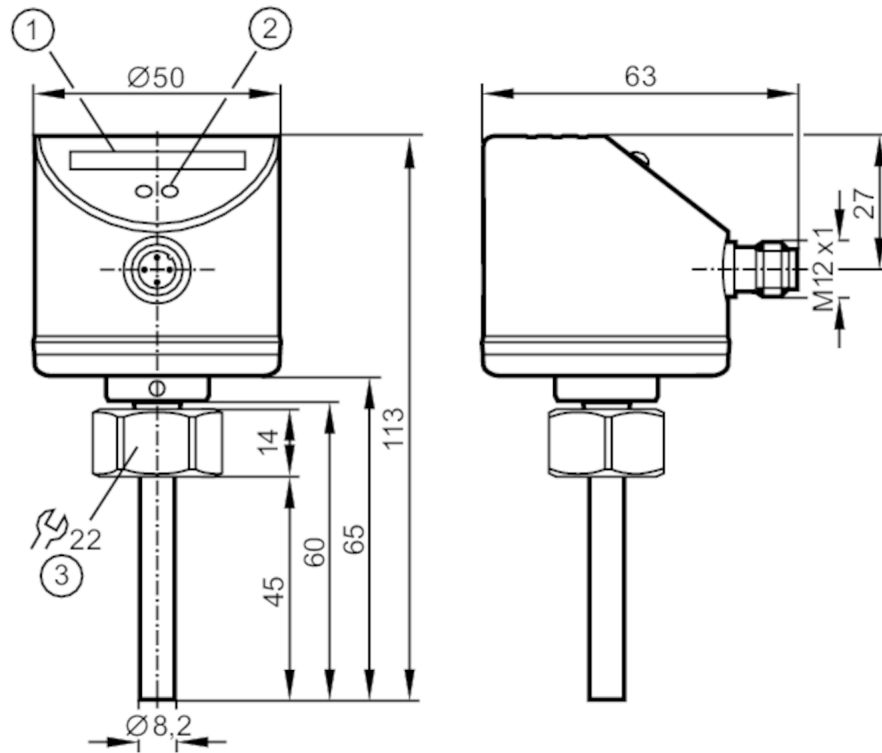


SI0521



Flow monitor

SID10ADBFPKG/US-100



- 1 LED bar display
- 2 setting pushbutton
- 3 Tightening torque 25 Nm



Product characteristics

Number of inputs and outputs	Number of digital outputs: 2
Process connection	M18 x 1,5 internal thread

Application

Media	Liquids
Medium temperature [°C]	-15...70
Pressure rating [bar]	300

Electrical data

Operating voltage [V]	24 DC; (18...32 DC)
Current consumption [mA]	< 60
Protection class	III
Reverse polarity protection	yes
Power-on delay time [s]	10

Inputs / outputs

Number of inputs and outputs	Number of digital outputs: 2
------------------------------	------------------------------

SI0521



Flow monitor

SID10ADBFPKG/US-100

Outputs		
Total number of outputs		2
Output signal		switching signal
Electrical design		PNP
Number of digital outputs		2
Output function		normally open / normally closed; (parameterisable)
Max. voltage drop switching output DC	[V]	2.5
Permanent current rating of switching output DC	[mA]	250
Short-circuit protection		yes
Type of short-circuit protection		pulsed
Overload protection		yes
Measuring/setting range		
Probe length L	[mm]	45
Setting range	[cm/s]	3...300
Greatest sensitivity	[cm/s]	3...100
Accuracy / deviations		
Repeatability	[% of Sr]	1...5
Note on repeatability		for water 5...100 cm/s; 25 °C Factory setting
Temperature drift	[cm/s x 1/K]	0.1; (for water 5...100 cm/s; 15...70 °C)
Temperature gradient	[K/min]	300
Switch point accuracy	[cm/s]	± 10; (for water 5...100 cm/s; 25 °C; Factory setting)
Hysteresis	[cm/s]	2...5; (for water 5...100 cm/s; 25 °C; Factory setting)
Response times		
Response time	[s]	1...10
Software / programming		
Adjustment of the switch point		pushbutton
Operating conditions		
Ambient temperature	[°C]	-25...80
Storage temperature	[°C]	-25...100
Protection		IP 67
Tests / approvals		
EMC	DIN EN 61000-4-2 ESD	6 kV CD / 8 kV AD
	DIN EN 61000-4-3 HF radiated	10 V/m
	DIN EN 61000-4-4 Burst	2 kV
	DIN EN 61000-4-5 Surge	0,5 kV / 1 kV
	DIN EN 61000-4-6 HF conducted	10 V
Shock resistance	DIN EN 60068-2-27	50 g (11 ms)
Vibration resistance	DIN EN 60068-2-6	1.6 mm (2...25 Hz) / 20 g (25...2000 Hz)
MTTF	[years]	267

SI0521



Flow monitor

SID10ADBFPKG/US-100

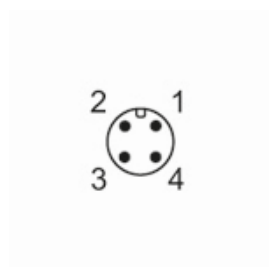
Mechanical data		
Weight	[g]	246.5
Dimensions	[mm]	M18 x 1.5
Thread designation		M18 x 1.5
Materials		stainless steel (1.4404 / 316L); stainless steel (1.4310 / 301); PC; PBT-GF20; EPDM/X
Materials (wetted parts)		stainless steel (1.4404 / 316L); O-ring: FKM 80 Shore A
Process connection		M18 x 1,5 internal thread

Displays / operating elements		
Display	function	10 x LED, three-colour

Remarks	
Pack quantity	1 pcs.

Electrical connection

Connector: 1 x M12



Connection

