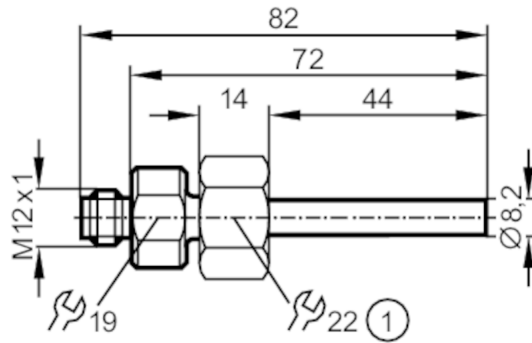


# SF5200



## Flow sensor for connection to an evaluation unit

SFD10ADB /JS-100



1 Internal thread M18 x 1,5



### Product characteristics

Probe length L	[mm]	45
Process connection		M18 x 1,5 internal thread

### Application

Application		high-temperature range
Media		Liquids; Gases
Medium temperature	[°C]	-25...80
Pressure rating	[bar]	300

### Electrical data

Connection to control monitor		VS3000
-------------------------------	--	--------

### Measuring/setting range

Probe length L	[mm]	45
Liquids		
Setting range	[cm/s]	3...300
Greatest sensitivity	[cm/s]	3...60
Gases		
Setting range	[cm/s]	200...3000
Greatest sensitivity	[cm/s]	200...800

### Accuracy / deviations

Temperature gradient	[K/min]	300
----------------------	---------	-----

### Response times

Response time	[s]	1...10
---------------	-----	--------

### Operating conditions

Protection		IP 67
------------	--	-------

### Tests / approvals

Shock resistance		DIN IEC 68-2-27	40 g (11 ms)
Vibration resistance		DIN IEC 68-2-6	10 g (55...2000 Hz)
MTTF	[years]		8213

# SF5200



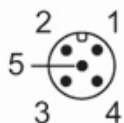
## Flow sensor for connection to an evaluation unit

SFD10ADB /JS-100

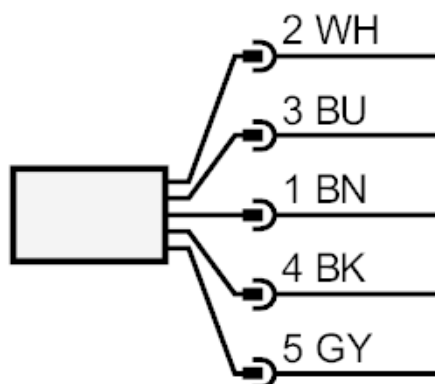
Mechanical data	
Weight [g]	88.5
Housing	for adapter
Dimensions [mm]	M18 x 1.5
Thread designation	M18 x 1.5
Materials	stainless steel (1.4404 / 316L)
Materials (wetted parts)	stainless steel (1.4404 / 316L); O-ring: FKM 80 Shore A
Process connection	M18 x 1,5 internal thread
Remarks	
Pack quantity	1 pcs.

## Electrical connection

Connector: 1 x M12; Maximum cable length: 100 m



## Connection



Core colours :

- BN = brown
- BU = blue
- BK = black
- WH = white
- GY = grey