

RM6113

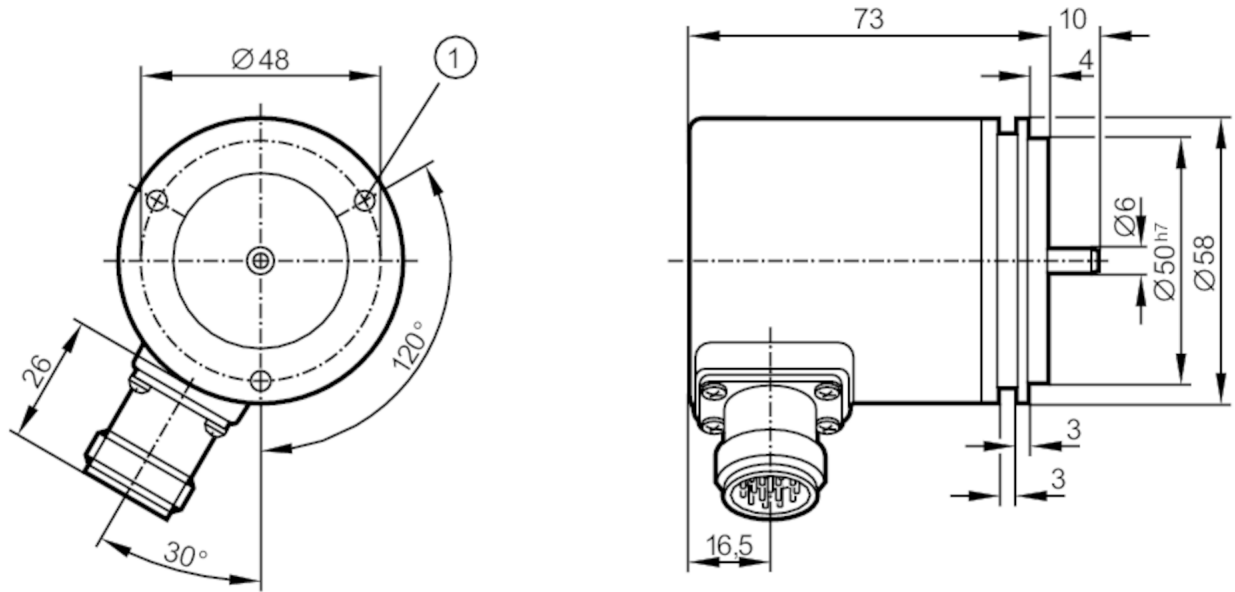


Absolute multiturn encoder with solid shaft

RM-8192-P24/K A

Article no longer available - archive entry

Alternative article: RM6101 When selecting an alternative article and accessories please note that technical data may differ! – When selecting an alternative article and accessories please note that technical data may differ!



1 M4 Depth 5 mm



Product characteristics

Resolution	parameterisable resolution; 8192 steps; 4096 revolutions; 25 bit
Communication interface	SSI data interface
Shaft design	solid shaft
Shaft diameter [mm]	6

Electrical data

Operating voltage [V]	10...30 DC
Current consumption [mA]	< 300
Max. revolution electrical [U/min]	6000

Outputs

Code	Dual code or Gray code; (parameterisable; time constant for position calculation: 0,5 ms)
------	---

Measuring/setting range

Resolution	parameterisable resolution; 8192 steps; 4096 revolutions; 25 bit
------------	--

Interfaces

Communication interface	SSI data interface
-------------------------	--------------------

Operating conditions

Ambient temperature [°C]	-20...70
Storage temperature [°C]	-30...80
Protection	IP 64

RM6113



Absolute multiturn encoder with solid shaft

RM-8192-P24/K A

Tests / approvals		
Shock resistance		100 g (6 ms)
Vibration resistance		10 g (55...2000 Hz)
Mechanical data		
Dimensions	[mm]	Ø 58 / L = 73
Materials		aluminium
Max. revolution, mechanical	[U/min]	12000
Max. starting torque	[Nm]	1
Reference temperature torque	[°C]	20
Shaft design		solid shaft
Shaft diameter	[mm]	6
Shaft material		steel (1.4104)
Max. shaft load axial (at the shaft end)	[N]	10
Max. shaft load radial (at the shaft end)	[N]	20
Remarks		
Remarks	For programming, a PC with Windows 3.1™ or higher as well as the programming software are needed.	

Electrical connection	
1	TxD
2	direction of rotation (10...30V)
3	failure inverted
4	RxD
5	preset 1 (10...30V / 1ms)
6	preset 2 (10...30V / 1ms)
7	10...30V Up
8	clock
9	clock inverted
10	0V Un
11	screen
12	B (+)
13	B (-)
14	data
15	A (+)
16	A (-)
17	data inverted

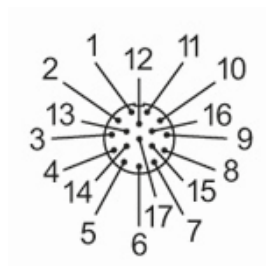
Connector: 1 x M23 (ifm 1001.11), radial; Maximum cable length: 100 m

RM6113



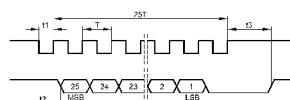
Absolute multiturn encoder with solid shaft

RM-8192-P24/K A



Diagrams and graphs

Pulse diagram



clock

data

Article no longer available - archive entry

Alternative article: RM6101 When selecting an alternative article and accessories please note that technical data may differ! – When selecting an alternative article and accessories please note that technical data may differ!