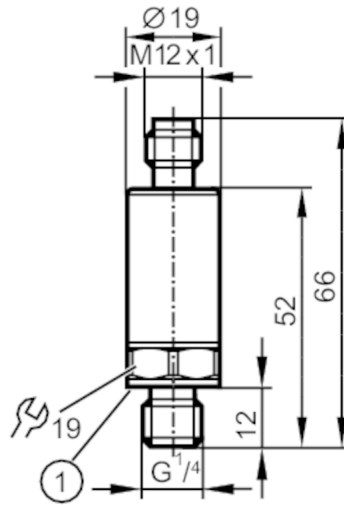


# PT5315



## Pressure transmitter

PT-006-SEG14-A-ZVG/US/ IW



1 Sealing



### Product characteristics

Output signal	analogue signal			
Measuring range	0...6 bar	0...87 psi	0...600 kPa	0...0.6 MPa
Process connection	threaded connection G 1/4 external thread (DIN EN ISO 1179-2)			

### Application

Application	for industrial applications		
Media	liquids and gases		
Medium temperature [°C]	-40...90		
Min. bursting pressure	200 bar	2900 psi	20 MPa
Pressure rating	15 bar	215 psi	1.5 Mpa
Note on pressure rating	static		
Vacuum resistance [mbar]	-1000		
Type of pressure	relative pressure		

### Electrical data

Operating voltage [V]	8.5...36 DC
Min. insulation resistance [MΩ]	100; (500 V DC)
Protection class	III
Reverse polarity protection	yes
Power-on delay time [s]	< 0.1

### Inputs / outputs

Number of inputs and outputs	Number of analogue outputs: 1
------------------------------	-------------------------------

# PT5315



## Pressure transmitter

PT-006-SEG14-A-ZVG/US/ IW

Outputs				
Total number of outputs	1			
Output signal	analogue signal			
Number of analogue outputs	1			
Analogue current output [mA]	4...20			
Max. load [ $\Omega$ ]	$(U_b - 8,5 \text{ V}) / 21,5 \text{ mA}$ ; @8,5V= 0 $\Omega$ ; @12V max. 160 $\Omega$ ; @24V max. 720 $\Omega$			
Short-circuit proof	yes			
Overload protection	yes			
Measuring/setting range				
Measuring range	0...6 bar	0...87 psi	0...600 kPa	0...0.6 MPa
Accuracy / deviations				
Repeatability [% of the span]	< $\pm 0,05$ ; (with temperature fluctuations < 10 K)			
Characteristics deviation [% of the span]	< $\pm 0,5$ ; (incl. drift when overtightened, zero point and span error, non-linearity, hysteresis)			
Linearity deviation [% of the span]	< $\pm 0,1$ (BFSL) / < $\pm 0,2$ (LS)			
Hysteresis deviation [% of the span]	< $\pm 0,2$			
Long-term stability [% of the span]	< $\pm 0,1$ ; (per 6 months)			
Temperature coefficient zero point and span [% of the span / 10 K]	< 0,1 (-25...90 $^{\circ}\text{C}$ ) / < 0,2 (-40...-25 $^{\circ}\text{C}$ )			
Response times				
Step response time analogue output [ms]	1			
Operating conditions				
Ambient temperature [ $^{\circ}\text{C}$ ]	-40...90			
Storage temperature [ $^{\circ}\text{C}$ ]	-40...100			
Protection	IP 67; IP 69K			
Tests / approvals				
EMC	DIN EN 61000-6-2			
	DIN EN 61000-6-3			
Shock resistance	DIN EN 60068-2-27		50 g (11 ms)	
Vibration resistance	DIN EN 60068-2-6		20 g (10...2000 Hz)	
MTTF [years]	787			
UL approval	UL Approval no.		J029	
Pressure Equipment Directive	Sound engineering practice; can be used for group 2 fluids; group 1 fluids on request			

# PT5315



## Pressure transmitter

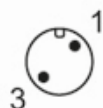
PT-006-SEG14-A-ZVG/US/ IW

Mechanical data	
Weight [g]	58
Materials	1.4542 (17-4 PH / 630); stainless steel (1.4404 / 316L); PEI
Materials (wetted parts)	1.4542 (17-4 PH / 630)
Min. pressure cycles	60 million; (at 1.2 times nominal pressure)
Tightening torque [Nm]	25...35; (recommended tightening torque; depends on lubrication, seal and pressure rating)
Process connection	threaded connection G 1/4 external thread (DIN EN ISO 1179-2)
Process connection sealing	FKM (DIN EN ISO 1179-2)
Restrictor element integrated	no (can be retrofitted)

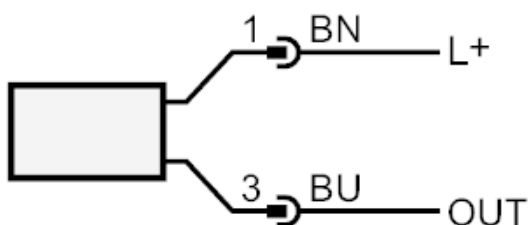
Remarks	
Remarks	BFSL = Best Fit Straight Line LS = limit value setting
Pack quantity	1 pcs.

## Electrical connection

Connector: 1 x M12



## Connection



OUT            analogue output  
                 colours to DIN EN 60947-5-2  
                 Core colours :  
BN =            brown  
BU =            blue