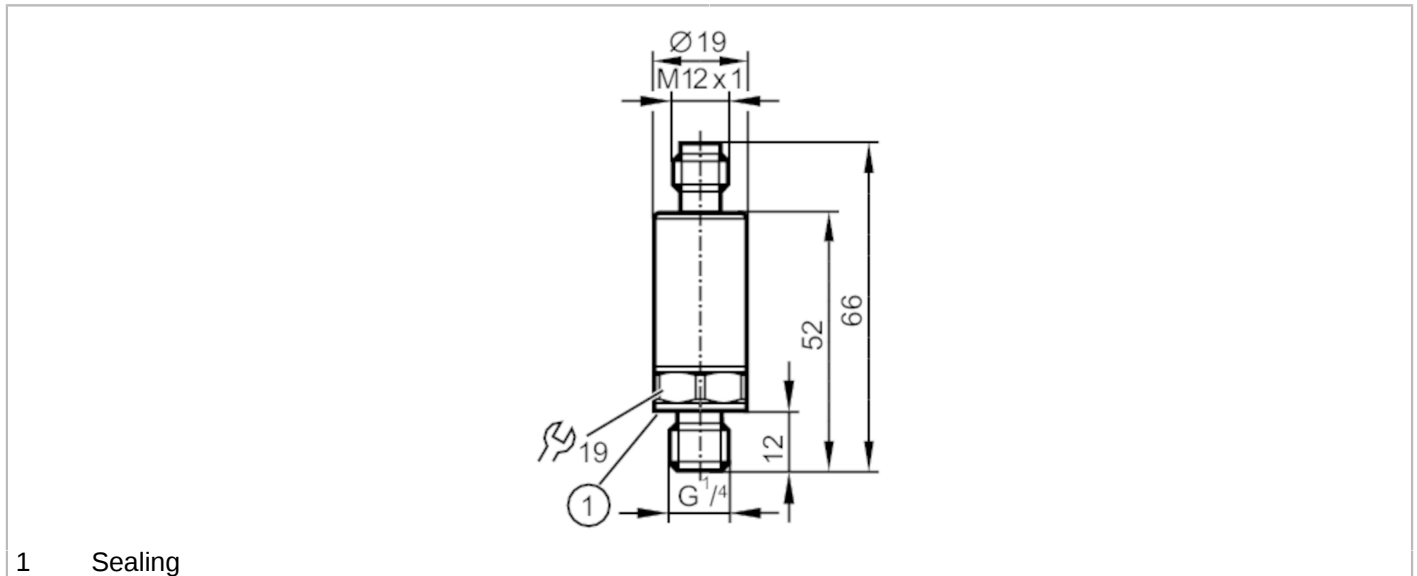


PT5453



Pressure transmitter

PT-030-SEG14-A-ZVG/US/ IW



Product characteristics

Output signal	analogue signal		
Measuring range	0...30 bar	0...435 psi	0...3 MPa
Process connection	threaded connection G 1/4 external thread (DIN EN ISO 1179-2)		

Application

Application	for industrial applications		
Media	liquids and gases		
Medium temperature [°C]	-40...90		
Min. bursting pressure	600 bar	8700 psi	60 MPa
Pressure rating	65 bar	940 psi	6.5 MPa
Note on pressure rating	static		
Vacuum resistance [mbar]	-1000		
Type of pressure	relative pressure		

Electrical data

Operating voltage [V]	8.5...36 DC		
Min. insulation resistance [MΩ]	100; (500 V DC)		
Protection class	III		
Reverse polarity protection	yes		
Power-on delay time [s]	< 0.1		

Inputs / outputs

Number of inputs and outputs	Number of analogue outputs: 1		
------------------------------	-------------------------------	--	--

PT5453



Pressure transmitter

PT-030-SEG14-A-ZVG/US/ IW

Outputs	
Total number of outputs	1
Output signal	analogue signal
Number of analogue outputs	1
Analogue current output [mA]	4...20
Max. load [Ω]	$(U_b - 8,5 \text{ V}) / 21,5 \text{ mA}$; @8,5V= 0 Ω ; @12V max. 160 Ω ; @24V max. 720 Ω
Short-circuit proof	yes
Overload protection	yes

Measuring/setting range			
Measuring range	0...30 bar	0...435 psi	0...3 MPa

Accuracy / deviations	
Repeatability [% of the span]	$< \pm 0,05$; (with temperature fluctuations $< 10 \text{ K}$)
Characteristics deviation [% of the span]	$< \pm 0,5$; (incl. drift when overtightened, zero point and span error, non-linearity, hysteresis)
Linearity deviation [% of the span]	$< \pm 0,1$ (BFSL) / $< \pm 0,2$ (LS)
Hysteresis deviation [% of the span]	$< \pm 0,2$
Long-term stability [% of the span]	$< \pm 0,1$; (per 6 months)
Temperature coefficient zero point and span [% of the span / 10 K]	$< 0,1$ (-25...90 $^{\circ}\text{C}$) / $< 0,2$ (-40...-25 $^{\circ}\text{C}$)

Response times	
Step response time analogue output [ms]	1

Operating conditions	
Ambient temperature [$^{\circ}\text{C}$]	-40...90
Storage temperature [$^{\circ}\text{C}$]	-40...100
Protection	IP 67; IP 69K

Tests / approvals			
EMC	DIN EN 61000-6-2		
	DIN EN 61000-6-3		
Shock resistance	DIN EN 60068-2-27		50 g (11 ms)
Vibration resistance	DIN EN 60068-2-6		20 g (10...2000 Hz)
MTTF [years]		787	
UL approval	UL Approval no.		J027
Pressure Equipment Directive	Sound engineering practice; can be used for group 2 fluids; group 1 fluids on request		

PT5453



Pressure transmitter

PT-030-SEG14-A-ZVG/US/ IW

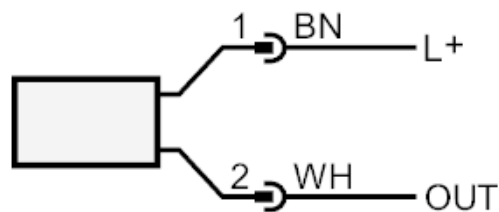
Mechanical data	
Weight [g]	58
Materials	1.4542 (17-4 PH / 630); stainless steel (1.4404 / 316L); PEI
Materials (wetted parts)	1.4542 (17-4 PH / 630)
Min. pressure cycles	60 million; (at 1.2 times nominal pressure)
Tightening torque [Nm]	25...35; (recommended tightening torque; depends on lubrication, seal and pressure rating)
Process connection	threaded connection G 1/4 external thread (DIN EN ISO 1179-2)
Process connection sealing	FKM (DIN EN ISO 1179-2)
Restrictor element integrated	no (can be retrofitted)
Remarks	
Remarks	BFSL = Best Fit Straight Line LS = limit value setting
Pack quantity	1 pcs.

Electrical connection

Connector: 1 x M12



Connection



OUT analogue output

The following pin connection is available on request: Pin 1: L+, Pin 3: OUT
colours to DIN EN 60947-5-2

Core colours :

BN brown

WH white