

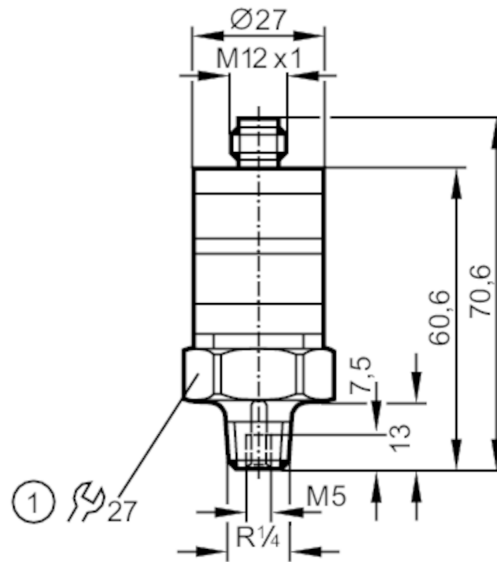
PK6731



Pressure switch with intuitive switch point setting

PK-250-SFP14-HCPKG/US /W

Article no longer available - archive entry



1 Tightening torque 25 Nm



Product characteristics

Output signal	switching signal	
Measuring range	0...250 bar	0...25 MPa
Process connection	threaded connection R 1/4 external thread internal thread M5	

Application

Application	for industrial applications	
Media	liquids and gases	
Medium temperature [°C]	-25...80	
Pressure rating	400 bar	40 MPa
Min. bursting pressure	1000 bar	100 MPa
Type of pressure	relative pressure	

Electrical data

Operating voltage [V]	9.6...32 DC	
Current consumption [mA]	< 25	
Min. insulation resistance [MΩ]	100; (500 V DC)	
Protection class	III	
Reverse polarity protection	yes	

Inputs / outputs

Number of inputs and outputs	Number of digital outputs: 2
------------------------------	------------------------------



Pressure switch with intuitive switch point setting

PK-250-SFP14-HCPKG/US/ /W

Outputs		
Total number of outputs	2	
Output signal	switching signal	
Electrical design	PNP	
Number of digital outputs	2	
Output function	complementary	
Max. voltage drop switching output DC [V]	2	
Permanent current rating of switching output DC [mA]	500	
Switching frequency DC [Hz]	100	
Short-circuit protection	yes	
Type of short-circuit protection	pulsed	
Overload protection	yes	
Measuring/setting range		
Measuring range	0...250 bar	0...25 MPa
Set point SP	12.5...250 bar	1.25...25 MPa
Reset point rP	7.5...245 bar	0.75...24.5 MPa
Accuracy / deviations		
Switch point accuracy [% of the final value]	$< \pm 2,5$; (Setting accuracy)	
Repeatability [% of the final value]	$< \pm 0,5$; (with temperature fluctuations < 10 K)	
Characteristics deviation [% of the final value]	$< \pm 1,5$ (BFSL) / $< \pm 2,5$ (LS); (BFSL = Best Fit Straight Line; LS = limit value setting)	
Temperature drift per 10 K	$< \pm 0.5$	
Software / programming		
Adjustment of the switch point	setting rings	
Operating conditions		
Ambient temperature [°C]	-25...80	
Storage temperature [°C]	-40...100	
Protection	IP 67	
Tests / approvals		
EMC	EN 61000-4-2 ESD	4 kV CD / 8 kV AD
	EN 61000-4-3 HF radiated	10 V/m
	EN 61000-4-4 Burst	2 kV
	EN 61000-4-6 HF conducted	10 V
Shock resistance	DIN IEC 68-2-27	50 g (11 ms)
Vibration resistance	DIN IEC 68-2-6	20 g (10...2000 Hz)
MTTF [years]	540	

PK6731



Pressure switch with intuitive switch point setting

PK-250-SFP14-HCPKG/US/ /W

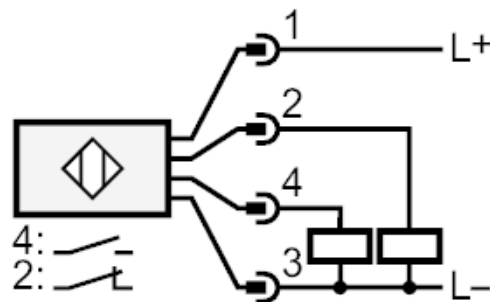
Mechanical data		
Materials	PBT; PC; FKM; stainless steel (1.4404 / 316L)	
Materials (wetted parts)	stainless steel (1.4404 / 316L)	
Min. pressure cycles	50 million	
Process connection	threaded connection R 1/4 external thread internal threadM5	
Restrictor element integrated	no (can be retrofitted)	
Displays / operating elements		
Display	operation	LED, green
	switching status	LED, yellow
Remarks		
Pack quantity	1 pcs.	

Electrical connection

Connector: 1 x M12



Connection



Article no longer available - archive entry