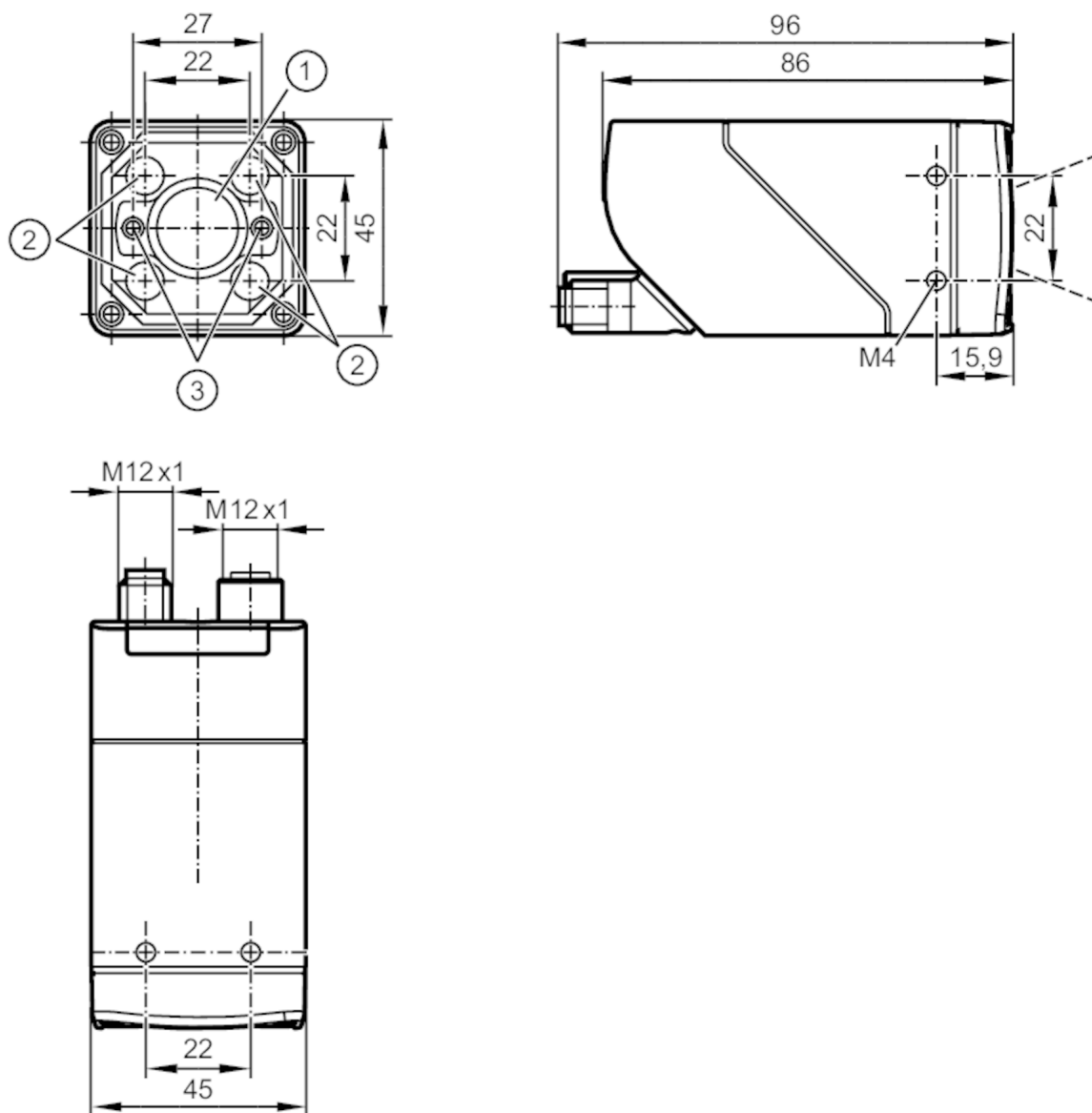


O2I500



1D/2D code readers

O2IRRDKG/E1/E2/EF/VF/TB/S



- 1 lens
- 2 illumination unit
- 3 laser spots

CE EAC EtherNet/IP

Product characteristics

Type of light		red light
Image resolution	[px]	1280 x 960
Lens type		standard
Max. reading rate	[Hz]	40
Communication interface		Ethernet
Laser protection class		1
Dimensions	[mm]	45 x 45 x 86

Application

Special feature	polarisation filter
-----------------	---------------------



1D/2D code readers

O2IRRDKG/E1/E2/EF/VF/TB/S

Electrical data		
Operating voltage	[V]	18...30 DC
Current consumption	[mA]	< 400; (24V DC)
Protection class		III
Reverse polarity protection		yes
Type of light		red light
Wave length	[nm]	617
Image sensor		CMOS image sensor black/white

Inputs / outputs	
Number of inputs and outputs	Number of digital inputs: 1; Number of digital outputs: 2

Inputs	
Trigger	external; 24 V PNP/NPN (IEC 61131-2 Typ 3); TCP/IP; EtherNet/IP; internal
Number of digital inputs	1

Outputs	
Total number of outputs	2
Number of digital outputs	2; (configurable)
Output function	24 V PNP/NPN
Max. voltage drop switching output DC	[V] 1
Max. current load per output	[mA] 100
Short-circuit protection	yes
Type of short-circuit protection	pulsed
Overload protection	yes

Detection zone			
Field of view size	[mm]	Operating distance	field of view
		85	28 x 21
		300	92 x 69
		500	152 x 114
		1000	302 x 227
Operating distance	[mm]	> 85	
Image resolution	[px]	1280 x 960	
Lens type		standard	
Readable codes		Interleaved 2-of-5; Industrial 2-of-5; Code 39; Code 93; Code 128; Pharmacode; Codabar; EAN8; EAN8 Add-On 2; EAN8 Add-On 5; EAN13; EAN13 Add-On 2; EAN13 Add-On 5; UPC-A; UPC-A Add-On 2; UPC-A Add-On 5; UPC-E; UPC-E Add-On 2; UPC-E Add-On 5; GS1 DataBar Omnidirectional; GS1 DataBar Truncated; GS1 DataBar Stacked; GS1 DataBar Stacked Omnidirectional; GS1 DataBar Limited; GS1 DataBar	



1D/2D code readers

O2IRRDKG/E1/E2/EF/VF/TB/S

	Expanded; GS1 DataBar Expanded Stacked; GS1 - 128; MSI Barcode; ECC200; PDF-417; QR; Micro-QR; Aztec Code; GS1 ECC200; GS1 QR Code; GS1 Aztec Code	
Code quality based on		ISO / IEC 15415
		ISO / IEC 15416
		AIM DPM
		ISO/IEC TR 29158
		SEMI T10
Polarisation filter available		yes
Omnidirectional reading		yes
Max. inclination to the image plane [°]		45
Max. reading rate [Hz]		40

Software / programming

Parameter setting options	teach button; via PC with ifm Vision Assistant	
---------------------------	--	--

Interfaces

Communication interface	Ethernet	
Ethernet		
Number of Ethernet interfaces	1	
Transmission standard	10Base-T; 100Base-TX	
Transmission rate	10 MBit/s; 100 MBit/s	
Protocol	TCP/IP; EtherNet/IP	
Factory settings	IP address: 192.168.0.69	
	subnet mask: 255.255.255.0 (Class C)	
	gateway IP address: 192.168.0.201	
	MAC address: see type label	
Usage type	parameter setting; data transmission	

Operating conditions

Ambient temperature [°C]	-10...50	
Storage temperature [°C]	-40...70	
Protection	IP 65	

Tests / approvals

EMC	EN 61000-6-4 radiation of interference	industrial environments
	EN IEC 61000-6-2 immunity	industrial environments
Shock resistance	EN 60068-2-27	50 g 11 ms / not repetitive
	EN 60068-2-27	40 g 6 ms / repetitive
Vibration resistance	EN 60068-2-6	2 g (10 ... 150 Hz)
Laser protection class	1	
Notes on laser protection	Caution:	laser light
	laser class:	1
		EN / IEC60825-1:2007
		EN / IEC60825-1:2014
		Complies with 21 CFR 1040 except for deviations pursuant to Laser Notice No. 50, dated June 2007.
Photobiological safety	exempt group; (EN 62471)	
Electrical protection	EN 61010-2-201	electrical supply only via PELV circuits

O2I500



1D/2D code readers

O2IRRDKG/E1/E2/EF/VF/TB/S

Mechanical data	
Weight [g]	601
Dimensions [mm]	45 x 45 x 86
Materials	housing: diecast zinc powder-coated; front lens: Gorillaglas; LED window: PC; pushbutton: POM
Sealing material	FKM

Displays / operating elements		
Display	function	2 x LED, green
	function	2 x LED, yellow
	Teach-Funktion	1 x LED, green
	Teach-Funktion	1 x LED, yellow
Operating elements	1 x	Teach-Taste

Accessories	
Accessories (optional)	Operating software
	Mounting accessories
	Adapter cable
	protective panes and filter panes

Remarks	
Pack quantity	1 pcs.

Electrical connection

Electrical connection - Ethernet

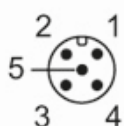
Connector: 1 x M12; Moulded body: stainless steel; Sealing: FKM



- | | |
|---|------|
| 1 | TxD+ |
| 2 | RxD+ |
| 3 | TxD- |
| 4 | RxD- |

Electrical connection - supply

Connector: 1 x M12; Moulded body: stainless steel



O2I500



1D/2D code readers

O2IRRDKG/E1/E2/EF/VF/TB/S

1	U+
2	trigger input
3	0 V
4	switching output 1 configurable
5	switching output 2 configurable / trigger output with external illumination