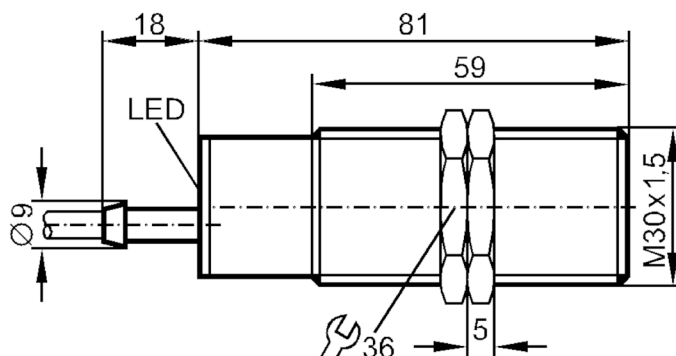




Inductive sensor

II-2010-BBOW/20m

Article no longer available - archive entry



Product characteristics

Output function		normally closed
Sensing range	[mm]	10
Housing		threaded type
Dimensions	[mm]	M30 x 1.5

Electrical data

Frequency AC	[Hz]	47...63
Operating voltage	[V]	20...250 AC
Protection class		II
Reverse polarity protection		no

Outputs

Output function		normally closed
Max. voltage drop switching output AC	[V]	5.5
Minimum load current	[mA]	5
Max. leakage current	[mA]	2.5
Permanent current rating of switching output AC	[mA]	300; (500 (...50 °C))
Short-time current rating of switching output	[mA]	2200; (20 ms / 0,5 Hz)
Switching frequency AC	[Hz]	20
Short-circuit protection		no
Overload protection		no

II0026



Inductive sensor

II-2010-BBOW/20m

Detection zone		
Sensing range	[mm]	10
Real sensing range Sr	[mm]	10 ± 10 %
Operating distance	[mm]	0...8.1

Accuracy / deviations		
Correction factor		steel: 1 / stainless steel: 0.7 / brass: 0.4 / aluminium: 0.4 / copper: 0.3
Hysteresis	[% of Sr]	1...15
Switch point drift	[% of Sr]	-10...10

Operating conditions		
Ambient temperature	[°C]	-25...80
Protection		IP 67

Mechanical data		
Housing		threaded type
Mounting		flush mountable
Dimensions	[mm]	M30 x 1.5
Thread designation		M30 x 1.5
Materials		PBT

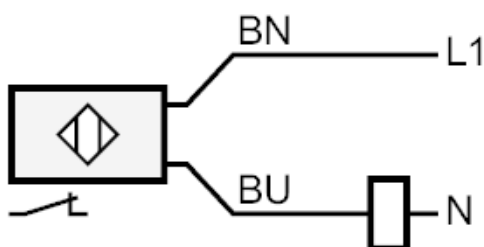
Displays / operating elements		
Display	switching status	1 x LED, yellow

Accessories		
Accessories (supplied)		lock nuts: 2

Remarks		
Pack quantity		1 pcs.

Electrical connection		
Cable: 20 m, PVC; 2 x 0.5 mm ²		

Connection



Core colours :

BN = brown

BU = blue

II0026

Inductive sensor

II-2010-BBOW/20m



Article no longer available - archive entry
