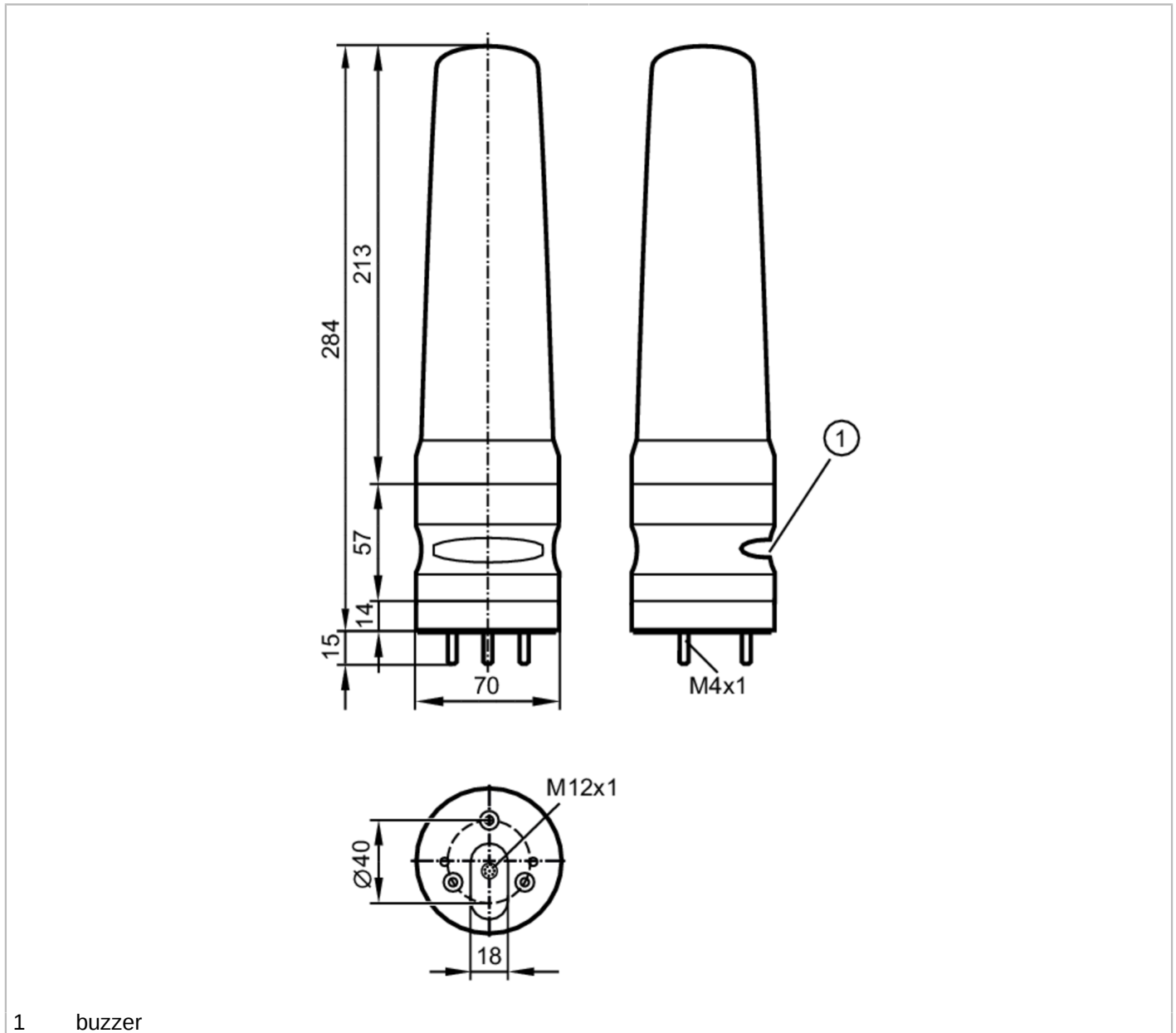


DV1530



5-segment light tower

LED-Tower-5/Std/Buzzer



1 buzzer



Application	
Application	signalling machine conditions
Electrical data	
Operating voltage [V]	18...30 DC; (to SELV/PELV)
Nominal voltage DC [V]	24
Current consumption [mA]	< 200
Inputs / outputs	
Number of inputs and outputs	Number of digital inputs: 6
Inputs	
Number of digital inputs	6
Input current High [mA]	6



5-segment light tower

LED-Tower-5/Std/Buzzer

Interfaces		
Communication interface	IO-Link	
Transmission type	COM2 (38.4 kBaud)	
IO-Link revision	1.1	
SDCI standard	IEC 61131-9	
IO-Link device ID	850 d / 00 03 52 h	
SIO mode	yes	
Required master port type	A	
Min. process cycle time [ms]	3.2	
Operating conditions		
Ambient temperature [°C]	-25...50	
Storage temperature [°C]	-40...75	
Max. relative air humidity [%]	90	
Air pressure [kPa]	< 106	
Max. height above sea level [m]	2000	
Protection	IP 54	
Mechanical data		
Weight [g]	567	
Dimensions [mm]	Ø 70 / L = 284	
Materials	housing: ABS; lens: PC	
Displays / operating elements		
Display	status	1 LED, green
	LED segment	5 x 4 LEDs
Acoustic signal	buzzer	
Max. sound pressure [dB]	85	
Remarks		
Remarks	For further information please see the operating instructions.	
Pack quantity	1 pcs.	
Electrical connection		
1	digital input LED segment 5	
2	buzzer	
3	digital input LED segment 3	
4	digital input LED segment 2	
5	voltage supply	
6	digital input LED segment 1	
7	digital input LED segment 4	
8	IO-Link (C/Q)	
Connector: M12		

DV1530



5-segment light tower

LED-Tower-5/Std/Buzzer



Connection