

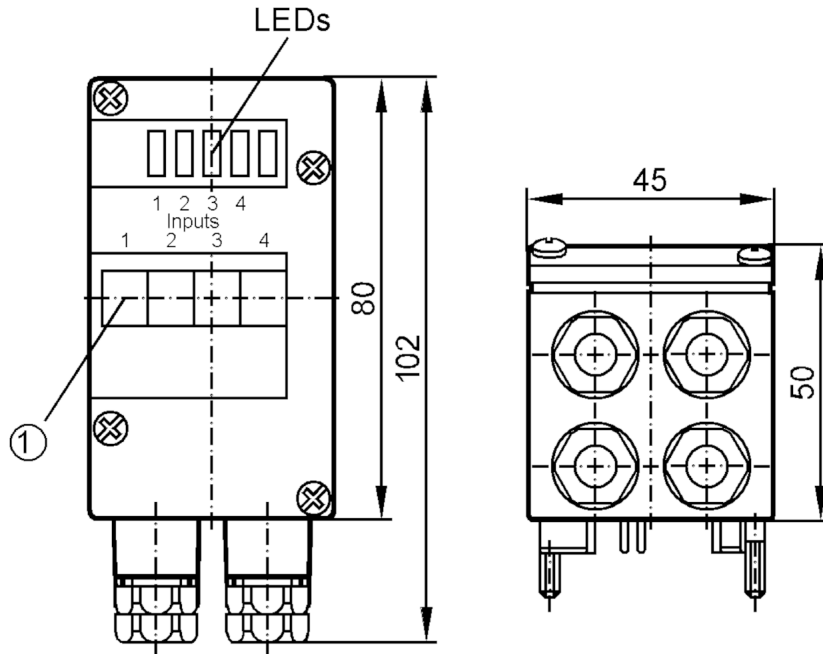
AC2033



AS-Interface universal module

EMS/Module/4DI/CCT

Article no longer available - archive entry



1 panel for labelling



Electrical data

Operating voltage	[V]	26.5...31.6 DC
Current consumption	[mA]	< 50

Inputs / outputs

Number of inputs and outputs	Number of digital inputs: 4
------------------------------	-----------------------------

Inputs

Number of digital inputs	4	
Sensor supply of the inputs	AS-i	
Input current High	[mA]	3...5
Input current Low	[mA]	0.5...1

Outputs

Electrical design	AS-i
-------------------	------

Operating conditions

Ambient temperature	[°C]	-25...60
Protection		IP 65

Tests / approvals

EMC	EN 50295
-----	----------



AS-Interface universal module

EMS/Module/4DI/CCT

AS-i classification						
AS-i profile	S-0.F					
AS-i I/O configuration [hex]	0					
AS-i ID code [hex]	F					
AS-i certificate pending	yes					
Assignment of the data bits	data bit	D0	D1	D2	D3	
	assignment	I-1	I-2 /	I-3	I-4	
Assignment of the parameter bits	parameter bit	function				
	P0	sensor monitoring	: I1	deactivated	* /	activated
	P1	sensor monitoring	: I2	deactivated	* /	activated
	P2	sensor monitoring	: I3	deactivated	* /	activated
	P3	sensor monitoring	: I4	deactivated	* /	activated
Mechanical data						
Type of mounting	AS-i interface to FC and SC lower parts					
Materials	PA 6-GF30; stainless steel (1.4305 / 303)					
Displays / operating elements						
Display	operation			LED, green		
	function			LED, yellow		
Remarks						
Pack quantity	1 pcs.					
Electrical connection						
cage clamps:						
contact pins to module lower part, FK / PG:						

Article no longer available - archive entry