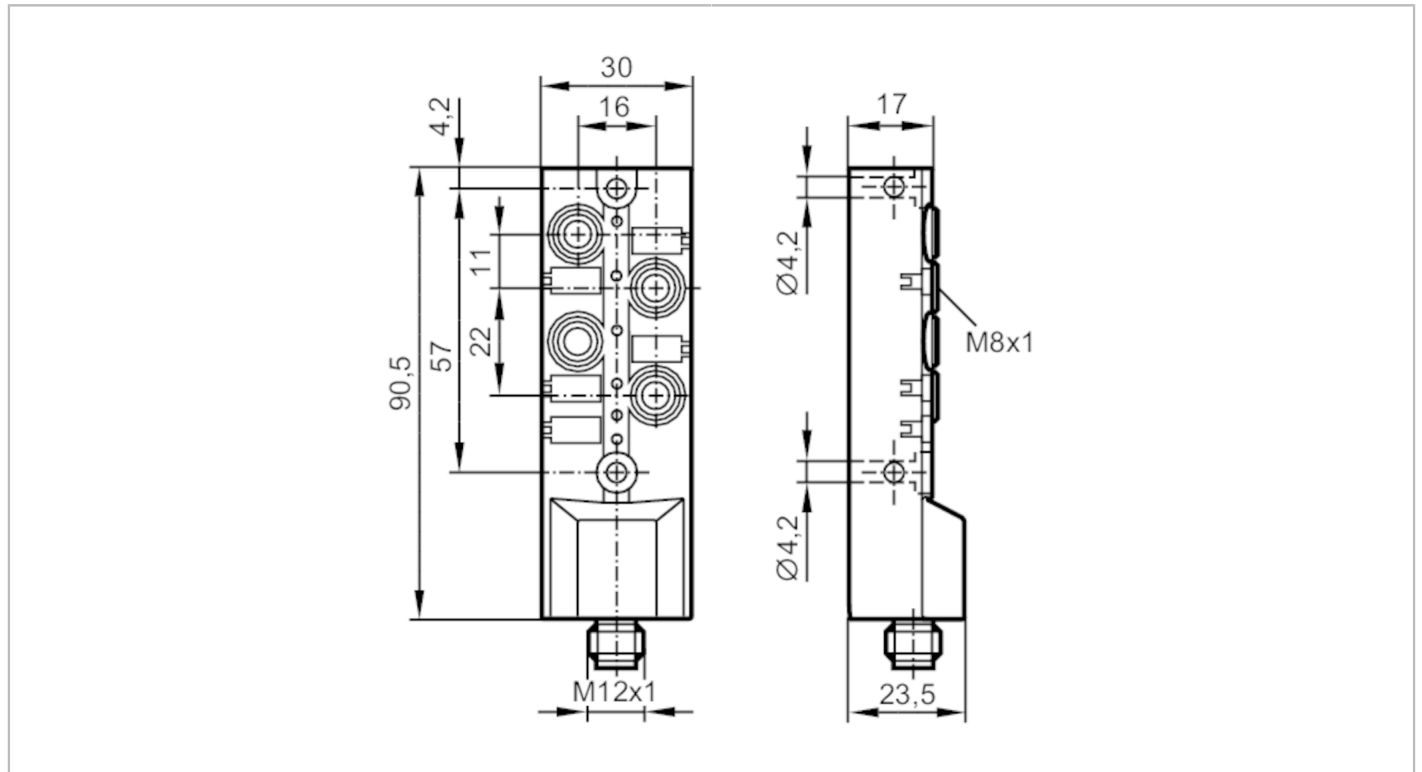




AS-Interface CompactLine module

CompactM8 4DI



Electrical data	
Operating voltage [V]	26.5...31.6 DC; ("supply class 2" to cULus)
Max. current consumption from AS-i [mA]	230
Inputs / outputs	
Number of inputs and outputs	Number of digital inputs: 4
Inputs	
Number of digital inputs	4
Input circuit of digital inputs	PNP
Sensor supply of the inputs	AS-i
Voltage supply [V]	18...30
Max. total current rating of inputs [mA]	180
Min. switching level high signal [V]	11
Digital inputs protected against short circuits	yes
Operating conditions	
Ambient temperature [°C]	-25...60
Protection	IP 65; IP 67; IP 68; ("enclosure type 1" according to cULus)
Tests / approvals	
EMC	EN 50295



AS-Interface CompactLine module

CompactM8 4DI

AS-i classification					
AS-i version	2.11 + 3.0				
Extended addressing mode possible	yes				
AS-i profile	S-0.A.E				
AS-i I/O configuration [hex]	0				
AS-i ID code [hex]	A.E				
AS-i certificate	100801				
Assignment of the data bits	data bit	D0	D1	D2	D3
	input	I-1	I-2	I-3	I-4
Assignment of the parameter bits	parameter bit	Designation			
	P0	not used			
	P1	peripheral fault indication	: 1	activated	/ 0 deactivated
	P2	not used			
	P3	not used			

Mechanical data	
Weight [g]	110.5
Type of mounting	backplane mounting
Materials	PBT

Displays / operating elements		
Display	switching status	LED, yellow
	operation	LED, green
	errors	LED, red

Accessories	
Accessories (supplied)	Label tags Protective caps: 2
Accessories (optional)	Protective cap: M8, E73005
	Flat cable insulation displacement connector 1m, round cable, E70583
	Flat cable insulation displacement connector: M12, E70096 DIN rail adapter, E73006

Remarks	
Pack quantity	1 pcs.

Electrical connection - AS-i	
1	AS-i +
3	AS-i -

Connector: 1 x M12



AC2484



AS-Interface CompactLine module

CompactM8 4DI

Electrical connection - Inputs

	Inputs
1	Sensor supply L+
3	Sensor supply L-
4	data input

Connector: 4 x M8

