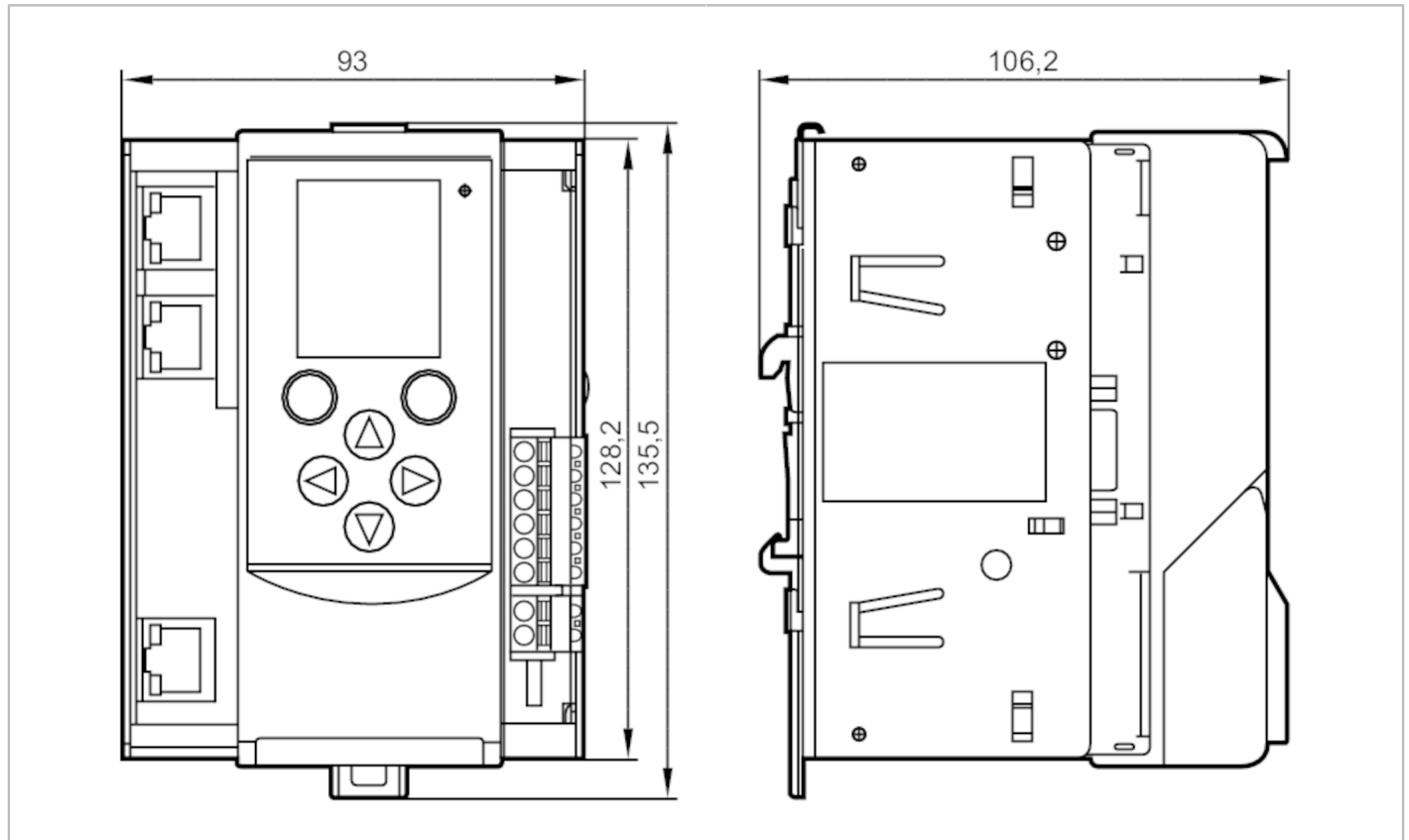


AC1423



AS-Interface EtherNet/IP gateway with PLC

SmartPLC DataLine 1ASi EIP



Electrical data		
Operating voltage	[V]	18...32 DC; (AUX; AS-i: 21...31,6 V DC)
Current consumption	[mA]	< 500; (AUX / AS-i 1)
Max. current consumption from AS-i	[mA]	500; (with external supply: 10 mA)
Number of AS-i masters		1
Electrical separation		yes
Outputs		
Voltage range DC	[V]	to PELV
Interfaces		
Communication interface		Ethernet; OPC-UA
Ethernet - EtherCAT		
Protocol		EtherCAT
Usage type		programming
Ethernet - EtherNet/IP		
Protocol		EtherNet/IP
Usage type		data transmission; programming

AC1423



AS-Interface EtherNet/IP gateway with PLC

SmartPLC DataLine 1ASi EIP

Ethernet - Modbus TCP		
Transmission rate		10 MBaud; 100 MBaud
Connector type		RJ45
Protocol		Modbus TCP
Usage type		programming
Ethernet - TCP/IP		
Transmission rate		10 MBaud; 100 MBaud
Connector type		RJ45
Protocol		TCP/IP
Usage type		programming
Ethernet - UDP/IP		
Transmission rate		10 MBaud; 100 MBaud
Connector type		RJ45
Protocol		UDP/IP
Usage type		programming
Operating conditions		
Ambient temperature	[°C]	0...60
Storage temperature	[°C]	-20...70
Protection		IP 20
AS-i classification		
AS-i version		3.0
AS-i profile		M4
AS-i certificate		97303
Mechanical data		
Weight	[g]	718.5
Housing		housing for DIN rail mounting
Materials		aluminium powder-coated; steel sheet galvanised; PC
Displays / operating elements		
Display	function	1 x LED, red/green
		full graphic LCD display
Accessories		
Accessories (supplied)		terminals
Remarks		
Pack quantity		1 pcs.

AC1423



AS-Interface EtherNet/IP gateway with PLC

SmartPLC DataLine 1ASi EIP

Electrical connection

terminals: ...2.5 mm²

Connection

