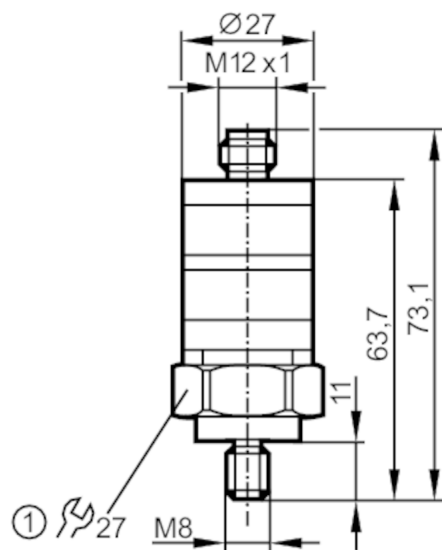


# VKV021



## Vibration monitor with intuitive switch point setting

VIBRATION MONITOR



- 1 Tightening torque 15 Nm  
M8 x 1.25 mm



### Application

Application vibration monitor to DIN ISO 10816

### Electrical data

Operating voltage [V]	18...32 DC
Current consumption [mA]	< 50
Protection class	III

### Inputs / outputs

Total number of inputs and outputs	2
Number of inputs and outputs	Number of digital outputs: 1; Number of analogue outputs: 1

### Outputs

Output signal	switching signal; analogue signal
Number of digital outputs	1
Output function	normally closed
Max. voltage drop switching output DC [V]	2
Permanent current rating of switching output DC [mA]	500
Number of analogue outputs	1
Analogue current output [mA]	4...20
Max. load [ $\Omega$ ]	500
Short-circuit protection	yes
Type of short-circuit protection	pulsed
Overload protection	yes

# VKV021



## Vibration monitor with intuitive switch point setting

VIBRATION MONITOR

Measuring/setting range		
Measuring range of vibration [mm/s]	0...25; (RMS)	
Frequency range [Hz]	10...1000	
Number of measurement axes	1	
Accuracy / deviations		
Measuring error [% of the final value]	< ± 3	
Switch point accuracy	< ±4; (% of the final value)	
Repeatability	< 0,5; (% of the final value)	
Linearity deviation	0,25 %	
Operating conditions		
Ambient temperature [°C]	-25...80	
Note on ambient temperature	UL application: < 80 °C	
Protection	IP 67	
Tests / approvals		
EMC	EN 61000-4-2 ESD	4 kV CD / 8 kV AD
	EN 61000-4-3 HF radiated	10 V/m
	EN 61000-4-4 Burst	2 kV
	EN 61000-4-6 HF conducted	10 V
Shock resistance	400 g	
MTTF [years]	510	
Mechanical data		
Weight [g]	114	
Type of mounting	M8 x 1,25	
Materials	PBT; PC; FKM; stainless steel (1.4404 / 316L)	
Tightening torque [Nm]	15	
Sensor type	microelectromechanical system (MEMS)	
Displays / operating elements		
Display	operation	LED, green
	switching status	LED, yellow
With scale	yes	
Operating elements	setting ring	setting ring
Remarks		
Pack quantity	1 pcs.	
Electrical connection		
1	L+	
2	4...20 mA	
3	GND	
	switching output	
Connector: 1 x M12		

# VKV021



## Vibration monitor with intuitive switch point setting

VIBRATION MONITOR



### Connection

