

UGT506



Ultrasonic sensor

UGB01200EOKG/US



1 LEDs



Electrical data

Operating voltage	[V]	10...30 DC; ("supply class 2" to cULus)
Current consumption	[mA]	< 35
Protection class		III
Reverse polarity protection		yes
Power-on delay time	[s]	0.1
Converter frequency	[kHz]	230

Inputs / outputs

Number of inputs and outputs	Number of digital outputs: 1
------------------------------	------------------------------

Inputs

Synchronisation input	no
Multiplex input	no

Outputs

Total number of outputs	1	
Electrical design	PNP	
Number of digital outputs	1	
Output function	normally open / normally closed; (parameterisable)	
Max. voltage drop switching output DC	[V]	2.2
Permanent current rating of switching output DC	[mA]	100
Switching frequency DC	[Hz]	5
Short-circuit protection	yes	
Overload protection	yes	

Detection zone

Sensing range	[mm]	80...1200
Blind zone	[mm]	80
Angle of aperture cylindrical	[°]	7; (±2)
Detection range hysteresis	[mm]	< 1
Max. deviation from the 90° angle sensor/object	[°]	± 4

UGT506



Ultrasonic sensor

UGB01200EOKG/US

Accuracy / deviations		
Notes on the accuracy / deviation	The indicated values are reached after a warm-up time of min. 20 minutes	
Temperature compensation	yes	
Hysteresis [%]	< 1	
Switch point drift [%]	-2.5...2.5	
Linearity error of analogue output [%]	< 1	
Operating conditions		
Ambient temperature [°C]	-20...70	
Protection	IP 67	
Tests / approvals		
EMC	EN 61000-4-2 ESD	4 kV CD / plastics 8 kV AD / metal
	EN 61000-4-3 HF radiated	3 V/m
	EN 61000-4-4 Burst	2 kV
	EN 61000-4-6 HF conducted	3 V
	EN 55011	Class A
Vibration resistance	EN 60068-2-6 Fc	(10-55) Hz 1 mm amplitude, oscillation period 5 min., 30 min. per axis at resonance or 55 Hz
Shock resistance	EN 60068-2-27 Ea	yes
MTTF [years]	237	
Mechanical data		
Weight [g]	80.5	
Housing	threaded type	
Dimensions [mm]	M18 x 1 / L = 60.5	
Thread designation	M18 x 1	
Materials	stainless steel (1.4404 / 316L); PA; epoxy glass ceramics	
Displays / operating elements		
Display	switching status	1 LED, yellow
	echo	1 LED, green
Accessories		
Accessories (supplied)	lock nuts: 2, stainless steel	
Remarks		
Remarks	operating voltage "supply class 2" according to cULus	
Pack quantity	1 pcs.	
Electrical connection		
Connector: 1 x M12		

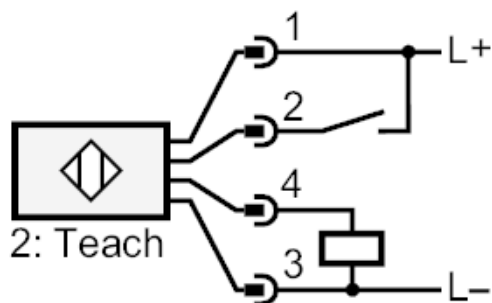
UGT506



Ultrasonic sensor

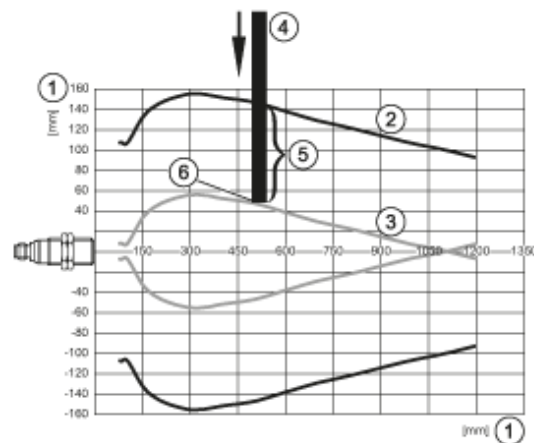
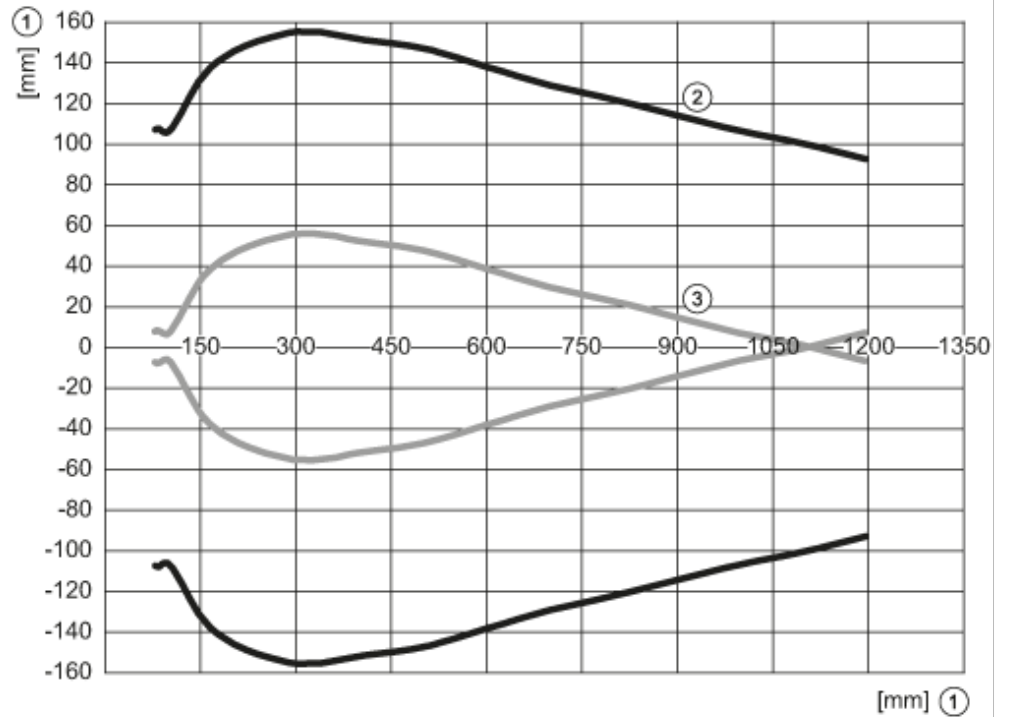
UGB01200EOKG/US

Connection



2: Teach

Diagrams and graphs



- 1: distance
- 2: Detection zone
- 3: switch-on/switch-off graph
- 4: Target 200 x 200 mm
- 5: 50 % of the target in the detection zone
- 6: switch point