

# SF0705

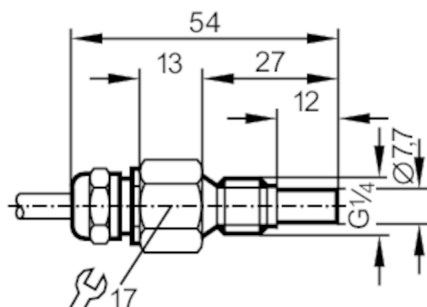


## Flow sensor for connection to an evaluation unit

SFR14ABBE1

Article no longer available - archive entry

replaced by: SF221A



### Product characteristics

Process connection G 1/4 external thread

### Application

Application Ex zone 1  
 Medium temperature [°C] -25...80  
 Pressure rating [bar] 30

### Liquids

Application Ex zone 1  
 Medium temperature [°C] -25...80

### Gases

Medium temperature [°C] -25...80

### Electrical data

Connection to control monitor VS 0200 Exi

### Measuring/setting range

#### Liquids

Setting range [cm/s] 3...300  
 Greatest sensitivity [cm/s] 3...60

#### Gases

Setting range [cm/s] 200...2000  
 Greatest sensitivity [cm/s] 200...800

### Accuracy / deviations

Temperature gradient [K/min] 15

### Response times

Response time [s] 1...10

#### Liquids

Response time [s] 1...10

#### Gases

Response time [s] 1...10

### Operating conditions

Protection IP 67

# SF0705



## Flow sensor for connection to an evaluation unit

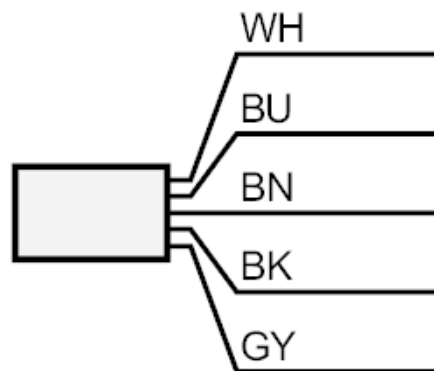
SFR14ABBE1

Mechanical data	
Housing	threaded type
Materials	stainless steel (1.4571/316Ti)
Materials (wetted parts)	stainless steel (1.4571/316Ti)
Process connection	G 1/4 external thread

Remarks	
Pack quantity	1 pcs.

Electrical connection	
Cable: 2 m, TPE-S; Maximum cable length: 100 m; 5 x 0.34 mm <sup>2</sup>	

### Connection



	Core colours :
BN =	brown
BU =	blue
BK =	black
WH =	white
GY =	grey

Article no longer available - archive entry

replaced by: SF221A