

RM6102

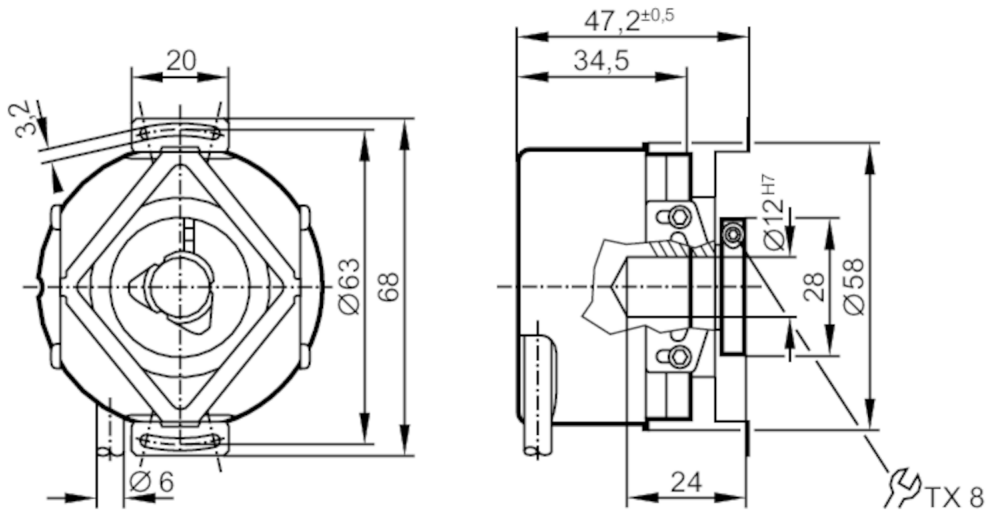


Absolute multiturn encoder with solid shaft

RM-8192-S24/N1U

Article no longer available - archive entry

Alternative article: RM8003 When selecting an alternative article and accessories please note that technical data may differ! –
When selecting an alternative article and accessories please note that technical data may differ! – Discontinuation date: 31.12.2016



Product characteristics	
Resolution	8192 resolution; 8192 steps; 4096 revolutions; 25 bit
Communication interface	SSI data interface
Shaft design	hollow shaft open to one side
Shaft diameter [mm]	12
Application	
Function principle	absolute
Revolution type	multiturn
Electrical data	
Operating voltage [V]	4.75...30 DC
Current consumption [mA]	< 200
Inputs	
Inputs	reversal of direction of rotation; reset to zero
Outputs	
Code	Gray code; (increasing code values when turned clockwise (seen on the shaft))
Code signal	Clock input; TTL-compatible signals; clock and clock (inv.) from drivers to RS 485; data output; synchronous serial; TTL-compatible signals, data, and data (inv.); incremental signals; 2 sinusoidal incremental signals (A and B) ; phase shifted by 90°; 1 Vss 512 signal periods per revolution
Measuring/setting range	
Resolution	8192 resolution; 8192 steps; 4096 revolutions; 25 bit
Interfaces	
Communication interface	SSI data interface

RM6102



Absolute multiturn encoder with solid shaft

RM-8192-S24/N1U

Operating conditions		
Ambient temperature [°C]		-40...85
Max. relative air humidity [%]		75; (briefly: 95 %)
Protection		IP 64
Tests / approvals		
Shock resistance		100 g (6 ms)
Vibration resistance		30 g (55...2000 Hz)
MTTF [years]		46
Mechanical data		
Weight [g]		452.4
Dimensions [mm]		Ø 58 / L = 35.5
Materials		aluminium
Max. revolution, mechanical [U/min]		10000
Max. starting torque [Nm]		1
Reference temperature torque [°C]		20
Shaft design		hollow shaft open to one side
Shaft diameter [mm]		12
Shaft material		steel (1.4104)
Max. shaft load axial (at the shaft end) [N]		10
Max. shaft load radial (at the shaft end) [N]		20
Max. axial shaft misalignment [mm]		1
Remarks		
Remarks		Wires/pins not connected (n.c.) must not be used.
Notes		discontinued article

RM6102



Absolute multiturn encoder with solid shaft

RM-8192-S24/N1U

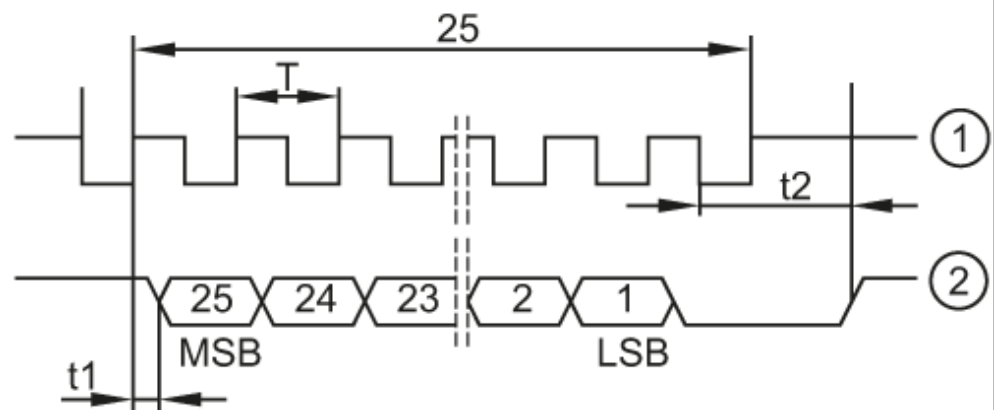
Electrical connection

Cable: 1 m, PUR; Maximum cable length: 100 m; radial, can also be used axially

blue	sensor (Up)
black	reversal of direction of rotation
red	n.c.
white	sensor 0 V
green	reset to zero
brown	n.c.
brown/green	4.75...30 V (Up)
lilac	clock
yellow	clock inverted
white/green	0 V (Un)
screen	housing
blue / black	B+
red/black	B-
grey	data
green / black	A+
yellow / black	A-
pink	data inverted

Diagrams and graphs

Pulse diagram



clock
data
1 clock
2 data

Article no longer available - archive entry

Alternative article: RM8003 When selecting an alternative article and accessories please note that technical data may differ! –
When selecting an alternative article and accessories please note that technical data may differ! – Discontinuation date: 31.12.2016