

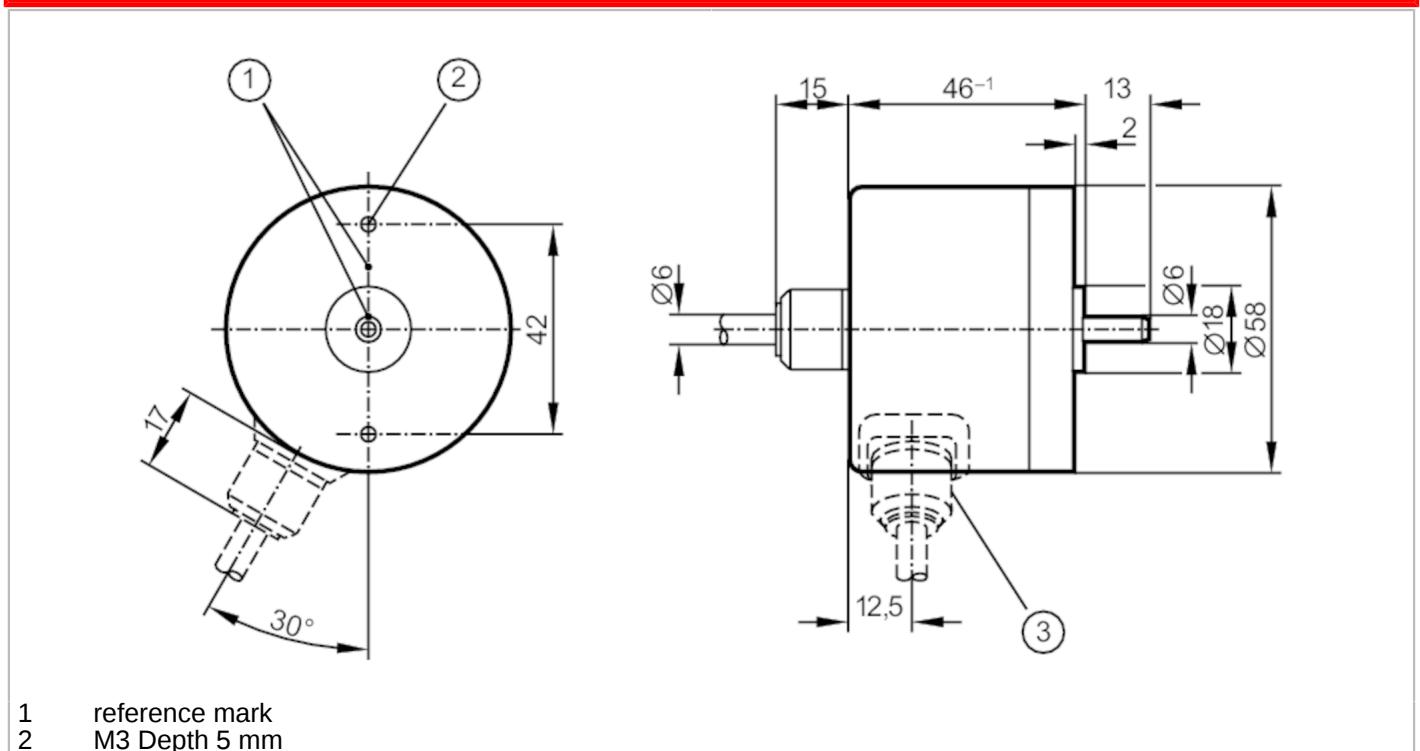
# RC1008



## Incremental encoder with solid shaft

RC-0180-I05/L2

Article no longer available - archive entry



- 1 reference mark
- 2 M3 Depth 5 mm



Electrical data	
Operating voltage tolerance	[%] 10
Operating voltage	[V] 5 DC
Current consumption	[mA] 150
Outputs	
Electrical design	TTL
Max. current load per output	[mA] 20
Switching frequency	[kHz] 300
Phase difference A and B	[°] 90
Measuring/setting range	
Resolution	180 resolution
Operating conditions	
Ambient temperature	[°C] -20...100
Storage temperature	[°C] -30...100
Max. relative air humidity	[%] 98
Protection	IP 64
Tests / approvals	
Shock resistance	100 g (6 ms)
Vibration resistance	10 g (55...2000 Hz)

# RC1008



## Incremental encoder with solid shaft

RC-0180-I05/L2

Mechanical data		
Dimensions	[mm]	Ø 58 / L = 46
Materials		aluminium
Max. revolution, mechanical	[U/min]	12000
Max. starting torque	[Nm]	1
Reference temperature torque	[°C]	20
Shaft design		solid shaft
Shaft diameter	[mm]	6
Shaft material		steel (1.4104)
Max. shaft load axial (at the shaft end)	[N]	10
Max. shaft load radial (at the shaft end)	[N]	20

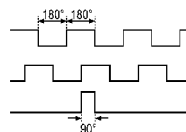
## Electrical connection

Cable: 2 m, PUR; axial

brown	A
green	A inverted
grey	B
pink	B inverted
red	0 index
black	0 index inverted
blue	L+ sensor
white	0V sensor
brown/green	L+ (Up)
white/green	0V (Un)
lilac	failure inverted
screen	housing

## Diagrams and graphs

Pulse diagram



Output A

Output B

0 index

Article no longer available - archive entry