

# PP2000

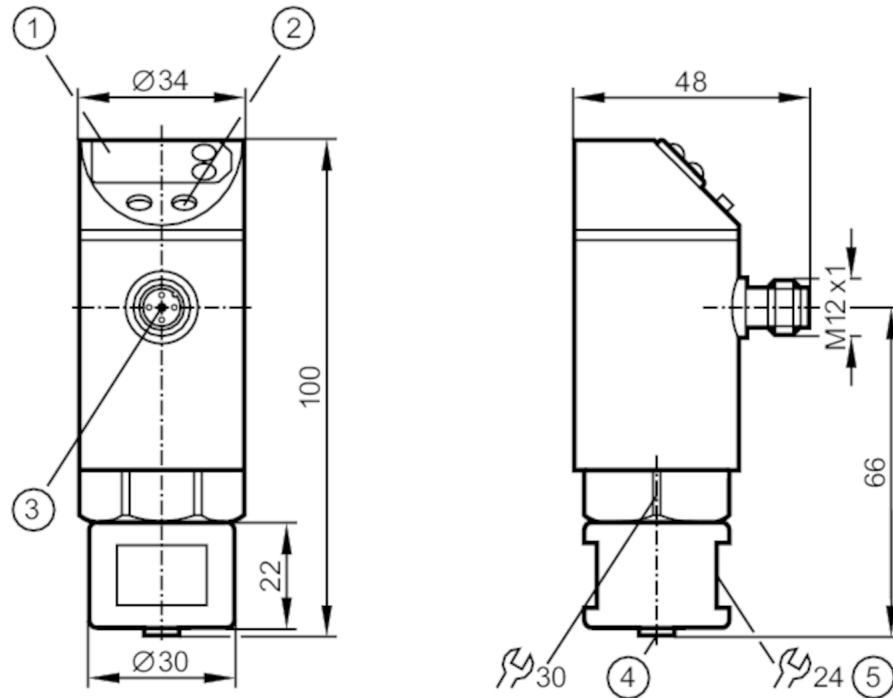


## Pressure switch with ceramic measuring cell

PP-PRG- /QFRKG/US/ /

Article no longer available - archive entry

replaced by: PP2001; supports EPS and IO-Link communication



- 1 7-segment LED display
- 2 programming button
- 3 connection for voltage supply and output signals
- 4 connection for EPS sensor
- 5 mounting nut



### Product characteristics

Output signal	switching signal
---------------	------------------

### Application

Special feature	Gold-plated contacts
Application	for industrial applications

### Electrical data

Operating voltage	[V]	10.8...30 DC
Current consumption	[mA]	< 60
Min. insulation resistance	[MΩ]	100; (500 V DC)
Protection class		III
Reverse polarity protection		yes
Power-on delay time	[s]	1.5

# PP2000



## Pressure switch with ceramic measuring cell

PP-PRG- /QFRKG/US/ /

Outputs		
Output signal		switching signal
Max. voltage drop switching output DC [V]		2
Permanent current rating of switching output DC [mA]		250
Short-circuit protection		yes
Type of short-circuit protection		pulsed
Overload protection		yes
Response times		
Max. measuring/display cycle [ms]		200
Software / programming		
Parameter setting options		depending on the connected sensor
Operating conditions		
Ambient temperature [°C]		-25...80
Storage temperature [°C]		-40...100
Protection		IP 67
Tests / approvals		
EMC	EN 61000-4-2 ESD	4 kV CD / 8 kV AD
	EN 61000-4-3 HF radiated	10 V/m
	EN 61000-4-4 Burst	2 kV
	EN 61000-4-6 HF conducted	10 V
Shock resistance	DIN IEC 68-2-27	50 g (11 ms)
Vibration resistance	DIN IEC 68-2-6	20 g (10...2000 Hz)
MTTF [years]		188
Mechanical data		
Weight [g]		0.378
Dimensions [mm]		100 x 34 x 48
Materials		stainless steel (1.4404 / 316L); EPDM/X; CO-PC; PBT; FKM
Displays / operating elements		
Display	switching status	LED, red
	function display	7-segment LED display
	measured values	7-segment LED display
Accessories		
Accessories (supplied)		jumper cables: 0,8 m, for parameter setting in the offline mode
Remarks		
Pack quantity		1 pcs.

# PP2000

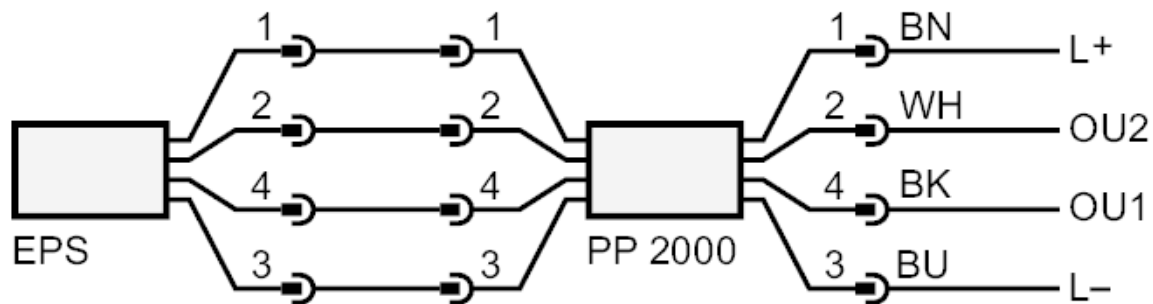


## Pressure switch with ceramic measuring cell

PP-PRG- /QFRKG/US/ /

### Electrical connection

#### Connection



Connector: 1 x M12; Contacts: gold-plated

Article no longer available - archive entry

replaced by: PP2001; supports EPS and IO-Link communication