

OW5002

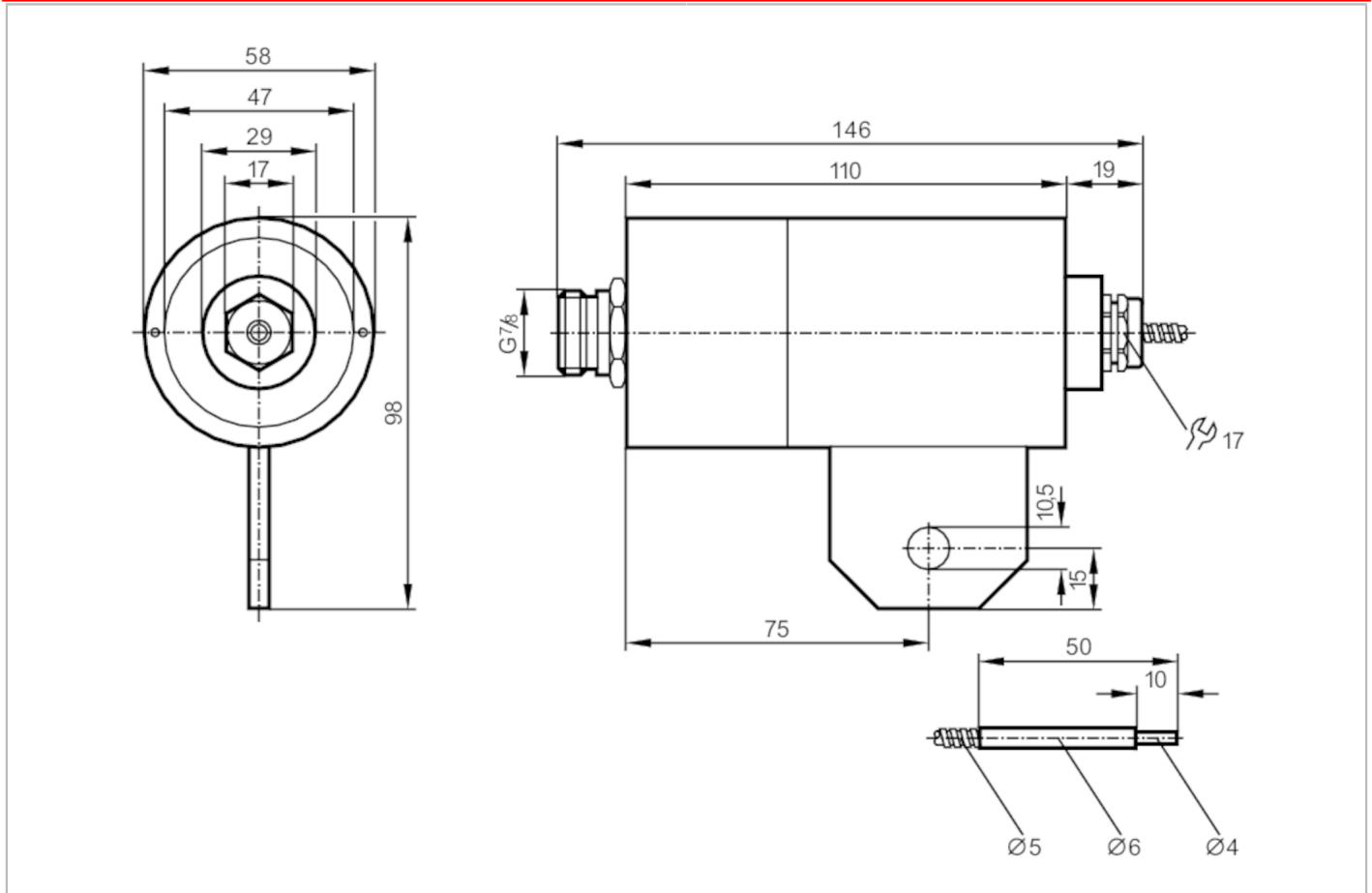


Infrared temperature sensor

OWF-5000-ANKG

Article no longer available - archive entry

Alternative article: OW5001 When selecting an alternative article and accessories please note that technical data may differ! – When selecting an alternative article and accessories please note that technical data may differ!



Electrical data		
Operating voltage	[V]	10...55 DC
Current consumption	[mA]	< 20
Protection class		II
Reverse polarity protection		yes
Outputs		
Electrical design		NPN
Max. voltage drop switching output DC	[V]	2.5
Permanent current rating of switching output DC	[mA]	400
Switching frequency DC	[Hz]	300
Short-circuit protection		yes
Type of short-circuit protection		pulsed
Overload protection		yes
Detection zone		
Detection range hysteresis	[%]	1...15

OW5002



Infrared temperature sensor

OWF-5000-ANKG

Operating conditions		
Ambient temperature	[°C]	-20...60
Protection		IP 65
Tests / approvals		
EMC		EN 60947-5-2
Mechanical data		
Housing		cylindrical
Dimensions	[mm]	Ø 58 / L = 129
Materials		brass white bronze coated
Lens material		glass
Displays / operating elements		
Display	switching status	1 x LED, yellow
Accessories		
Accessories (supplied)		Fibre optics with aluminium sheathing
Remarks		
Pack quantity		1 pcs.
Electrical connection		
Connector: 1 x 7/8"		

Article no longer available - archive entry

Alternative article: OW5001 When selecting an alternative article and accessories please note that technical data may differ! – When selecting an alternative article and accessories please note that technical data may differ!