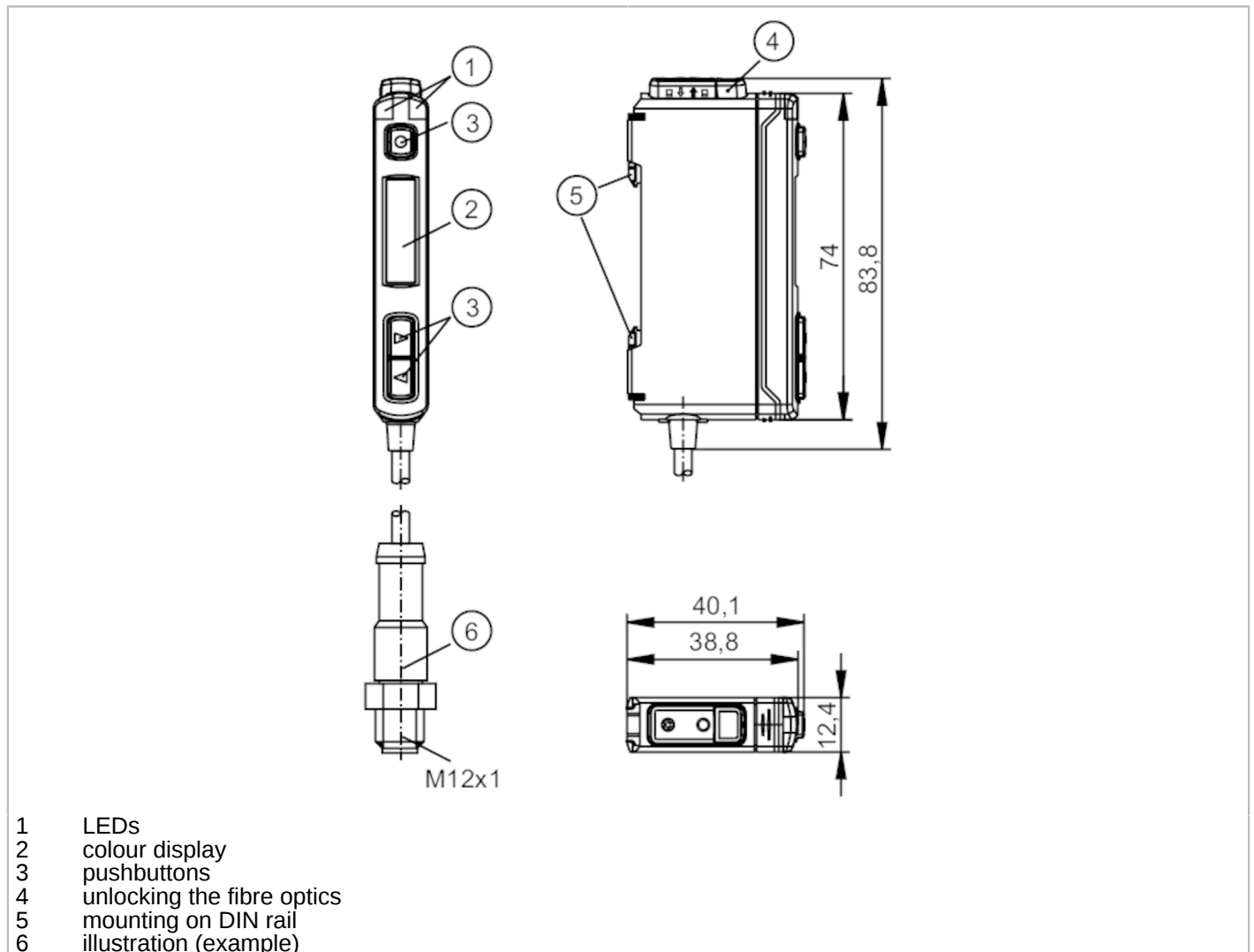


OCF502



Fibre optic sensor

OCF-FCKG/IO-Link/0,30M/US/4P



Product characteristics	
Type of light	red light
Housing	rectangular
Application	
Special feature	Function check output
Design	stand-alone version
Electrical data	
Operating voltage [V]	10...30 DC
Current consumption [mA]	< 35
Protection class	III
Reverse polarity protection	yes
Type of light	red light
Wave length [nm]	632



Fibre optic sensor

OCF-FCKG/IO-Link/0,30M/US/4P

Outputs		
Electrical design	PNP/NPN; (programmable)	
Output function	light-on/dark-on mode; (programmable)	
Max. voltage drop switching output DC [V]	2.5	
Function check output	yes	
Max. current load for function check output [mA]	100	
Switching frequency DC [Hz]	20000	
Short-circuit protection	yes	
Type of short-circuit protection	pulsed	
Overload protection	yes	
Time function [s]	1...9999	
Detection zone		
Range [m]	0...2.79; (Through-beam sensor E20606 (High Power))	
Range [mm]	0...660; (diffuse reflection sensor E20651 (High Power))	
Interfaces		
Communication interface	IO-Link	
Transmission type	COM2 (38,4 kBaud)	
IO-Link revision	1.1	
SDCI standard	IEC 61131-9	
Profiles	Smart Sensor: Device Identification; Device Diagnosis; Teach Channel; Switching Channel; Process Data Variable	
SIO mode	yes	
Required master port type	A	
Min. process cycle time [ms]	3.5	
IO-Link process data (cyclical)	function	bit length
	process value	32
	device status	4
	binary switching information	1
IO-Link functions (acyclical)	application specific tag; operating hours counter; switch-on cycle counter	
Supported DeviceIDs	Type of operation	DeviceID
	Default	1204
Operating conditions		
Ambient temperature [°C]	-25...60	
Protection	IP 65	
Tests / approvals		
EMC	EN 60947-5-2	
MTTF [years]	483	
Mechanical data		
Weight [g]	99.39	
Housing	rectangular	
Dimensions [mm]	83.8 x 12.4 x 40.1	
Materials	housing: ABS modified	

OCF502



Fibre optic sensor

OCF-FCKG/IO-Link/0,30M/US/4P

Displays / operating elements

Display	switching status	1 x LED, yellow
	operation	1 x LED, green
	OLED display	

Remarks

Pack quantity	1 pcs.
---------------	--------

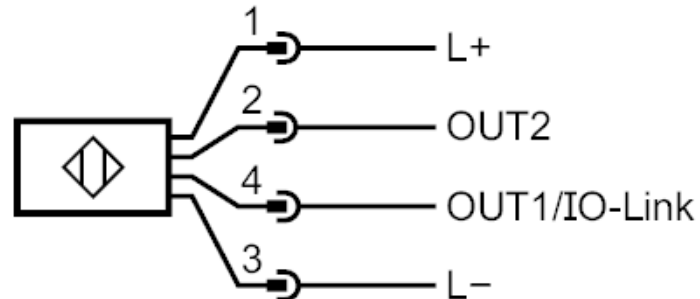
Electrical connection - plug

Cable: 0.3 m, PVC; 4 x 0.25 mm²

Connector: 1 x M12; coding: A



Connection



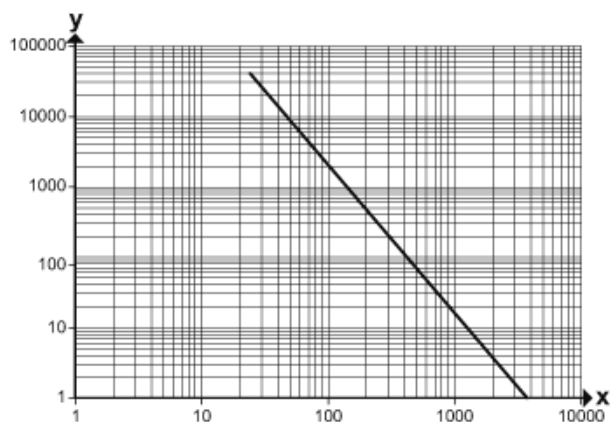
- 2 switching output
- 4 switching output or IO-Link



Fibre optic sensor

OCF-FCKG/IO-Link/0,30M/US/4P

Diagrams and graphs



x distance

y excess gain [%]