

O1D405

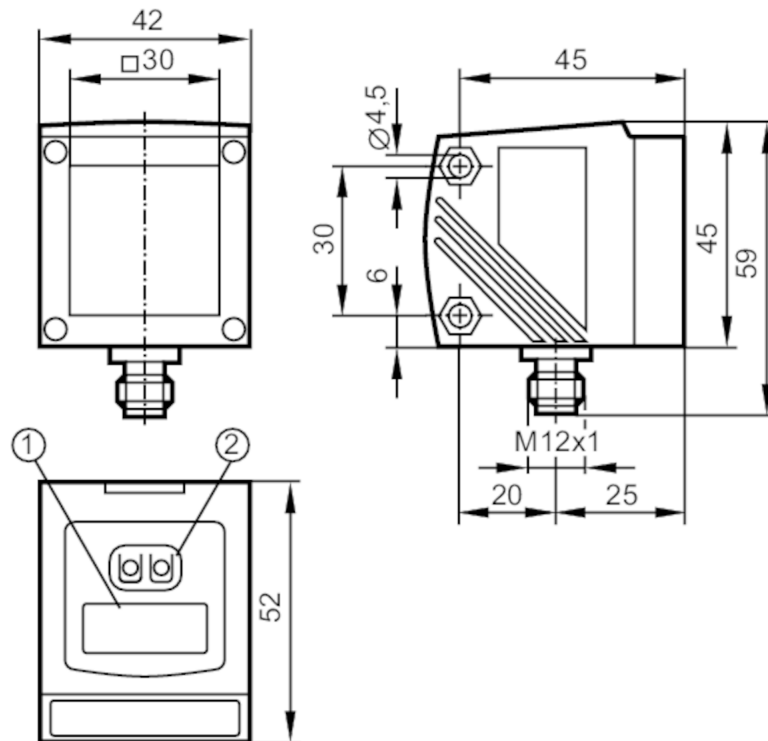


Photoelectric distance sensor

O1DLF3KG

Article no longer available - archive entry

Alternative article: O1D105 When selecting an alternative article and accessories please note that technical data may differ! –
When selecting an alternative article and accessories please note that technical data may differ! – Discontinuation date: 31.12.2016



- 1 alphanumeric display 4-digit
- 2 programming buttons



Product characteristics

| | |
|-------------------|---|
| Electrical design | PNP |
| Output function | normally open / normally closed; (programmable) |
| Housing | rectangular |
| Dimensions [mm] | 59 x 42 x 52 |

Electrical data

| | |
|-----------------------------|------------|
| Operating voltage [V] | 18...30 DC |
| Current consumption [mA] | < 150 |
| Protection class | III |
| Reverse polarity protection | yes |
| Typ. lifetime [h] | 50000 |

Inputs / outputs

| | |
|------------------------------|---|
| Number of inputs and outputs | Number of digital outputs: 2; Number of analogue outputs: 1 |
|------------------------------|---|

O1D405



Photoelectric distance sensor

O1DLF3KG

| Outputs | | |
|--|--|---------------|
| Total number of outputs | 2 | |
| Electrical design | PNP | |
| Number of digital outputs | 2 | |
| Output function | normally open / normally closed; (programmable) | |
| Max. current load per output [mA] | 200 | |
| Number of analogue outputs | 1 | |
| Analogue current output [mA] | 4...20; (IEC 61131-2) | |
| Max. load [Ω] | 250 | |
| Analogue voltage output [V] | 0...10; (IEC 61131-2) | |
| Min. load resistance [Ω] | 5000 | |
| Short-circuit protection | yes | |
| Type of short-circuit protection | pulsed | |
| Overload protection | yes | |
| Detection zone | | |
| Max. light spot width [mm] | 15 | |
| Max. light spot height [mm] | 15 | |
| Light spot dimensions refer to | 10 m | |
| Background suppression [m] | 10...100 | |
| Measuring/setting range | | |
| Measuring range [m] | 0.2...10; (white paper 200 x 200 mm 90% remission) | |
| Sampling rate [Hz] | 1...33 | |
| Operating conditions | | |
| Ambient temperature [$^{\circ}\text{C}$] | -10...60 | |
| Protection | IP 67 | |
| Max. immunity to extraneous light [klx] | 100 | |
| Tests / approvals | | |
| EMC | EN 60947-5-2 | |
| Laser protection class | 2 | |
| Notes on laser protection | Caution: | laser light |
| | Power: | $\leq 4,1$ mW |
| | Wave length: | 650 nm |
| | pulse: | 1,3 ns |
| | Do not stare into beam. | |
| | Avoid exposure to the laser light. | |
| | laser class: | 2 |
| | EN 60825-1:2003-10 | |
| MTTF [years] | 167 | |

O1D405



Photoelectric distance sensor

O1DLF3KG

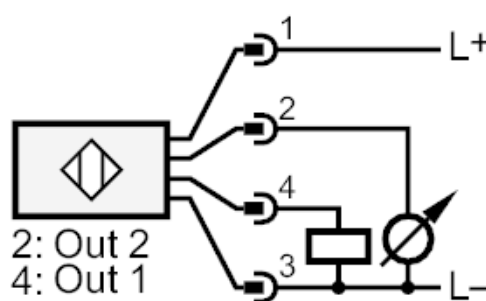
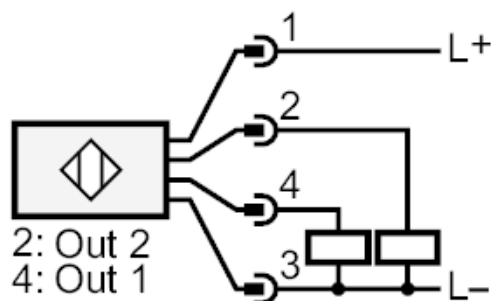
| Mechanical data | | |
|-------------------------------|-----------------------------|--|
| Weight | [g] | 294.8 |
| Housing | | rectangular |
| Dimensions | [mm] | 59 x 42 x 52 |
| Materials | | housing: diecast zinc; front lens: glass; LED window: PC |
| Lens alignment | | side lens |
| Displays / operating elements | | |
| Display | switching status | 2 x LED, yellow |
| | operation | LED, green |
| | distance value, programming | alphanumeric display, 4-digit |
| Accessories | | |
| Accessories (optional) | | Protective cover, E21133 Mounting bracket |
| Remarks | | |
| Remarks | | operating voltage "supply class 2" according to cULus |
| Notes | | discontinued article |
| Pack quantity | | 1 pcs. |

Electrical connection

Connector: 1 x M12



Connection



Article no longer available - archive entry

Alternative article: O1D105 When selecting an alternative article and accessories please note that technical data may differ! –
When selecting an alternative article and accessories please note that technical data may differ! – Discontinuation date: 31.12.2016