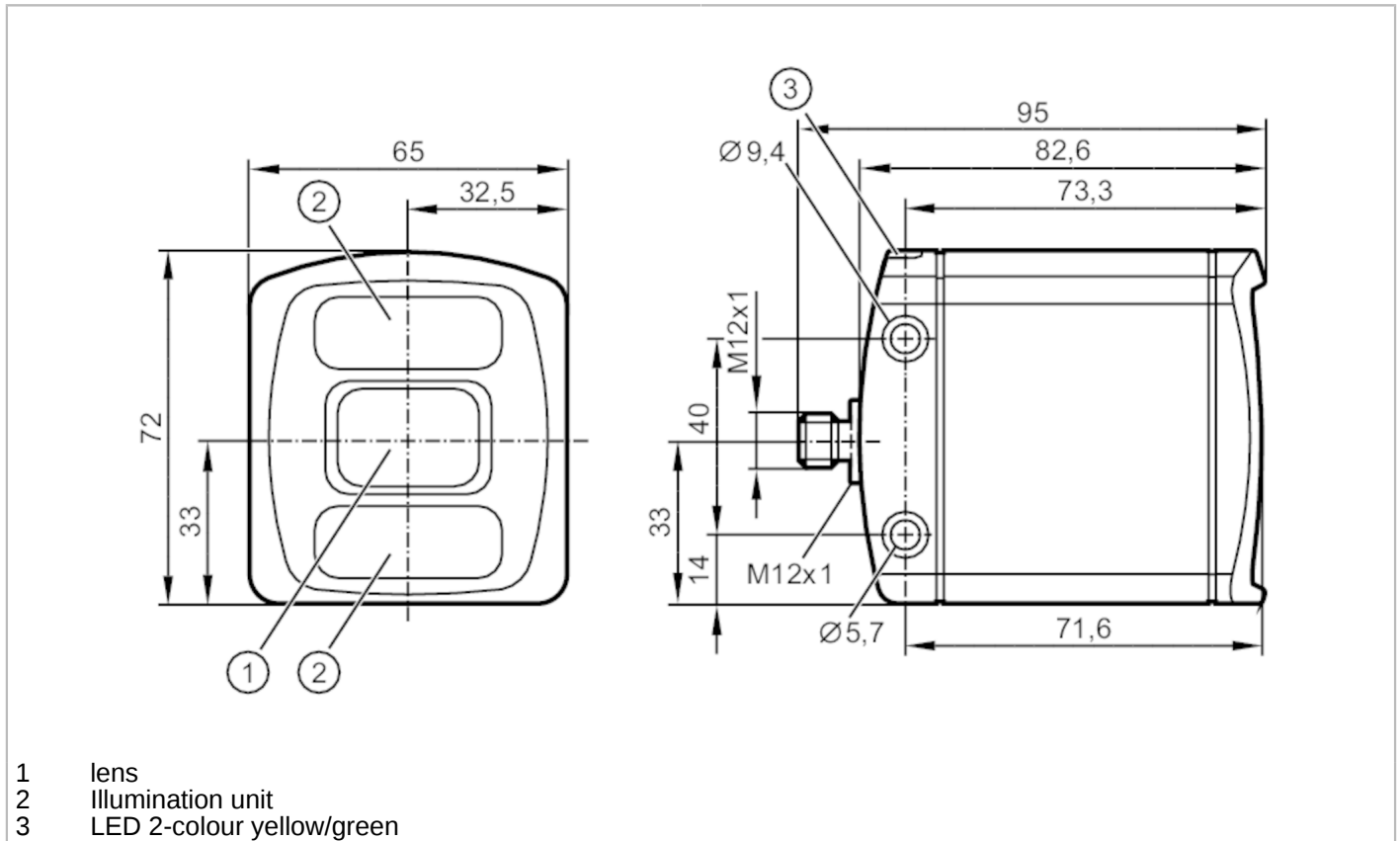


O3D313



3D camera

O3DIRDKG/E1/GM/S/60



Application	
Application	output of 3D image data
Electrical data	
Operating voltage [V]	20.4...28.8 DC; (EN 61131-2)
Current consumption [mA]	< 2400; (peak current pulsed; typical value: 420; maximum value: 1600)
Power consumption [W]	10; (typical value)
Protection class	III
Internal lighting	yes
Inputs / outputs	
Number of inputs and outputs	Number of digital outputs: 2
Inputs	
Trigger	24 V PNP/NPN (IEC 61131-2 Typ 3)
Outputs	
Total number of outputs	2
Number of digital outputs	2; (configurable)
Output function	24 V PNP/NPN; (EN 61131-2)
Max. current load per output [mA]	100
Short-circuit protection	yes
Type of short-circuit protection	pulsed
Overload protection	yes

O3D313



3D camera

O3DIRDKG/E1/GM/S/60

Detection zone		
Operating distance	[mm]	300...8000
Note on operating distance		object size: 200 x 200 mm reflectivity: 18 %
Image resolution	[pixels]	352 x 264
Angle of aperture	[°]	60 x 45; (nominal value without lens distortion correction)
Max. reading rate	[Hz]	25
Measuring/setting range		
Measuring range	[m]	< 30
Software / programming		
Parameter setting options		via PC with ifm Vision Assistant or XML-RPC
Interfaces		
Communication interface		Ethernet
Ethernet		
Number of Ethernet interfaces		1
Transmission standard		10Base-T; 100Base-TX
Transmission rate		10; 100
Protocol		TCP/IP
Factory settings		IP address: 192.168.0.69 subnet mask: 255.255.255.0 gateway IP address: 192.168.0.201
Operating conditions		
Ambient temperature	[°C]	-10...50
Storage temperature	[°C]	-40...85
Protection		IP 65; IP 67; IP 69K
Max. immunity to extraneous light	[klx]	8; (with reduced measuring accuracy and repeatability: < 100)
Tests / approvals		
EMC	DIN EN 61000-6-4	radiation of interference / industrial environments
	DIN EN 61000-6-2	noise immunity / industrial environments
Shock resistance	DIN EN 60068-2-27	50 g / (11 ms) not repetitive
	DIN EN 60068-2-27	40 g / (6 ms) repetitive
Vibration resistance	DIN EN 60068-2-6	2 g / (10...150 Hz)
	DIN EN 60068-2-64	2.3 g RMS / (10...500 Hz)
Photobiological safety		exempt group; (DIN EN 62471)
Electrical protection	DIN EN 61010-2-201	electrical supply only via PELV circuits
MTTF	[years]	45.02
Mechanical data		
Weight	[g]	1189
Dimensions	[mm]	72 x 65 x 82.6
Materials		housing: stainless steel (1.4404 / 316L); front lens: PMMA; function display: PA
Image sensor		PMD 3D ToF-Chip

O3D313



3D camera

O3DIRDKG/E1/GM/S/60

Displays / operating elements

Display	function	2 LED, green Ethernet operation
	switching status	2 LED, yellow OUT 1 OUT 2

Accessories

Accessories (supplied)	USB memory stick with software and documentation
	Protective covers

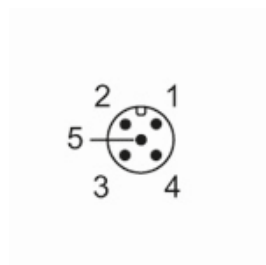
Remarks

Pack quantity	1 pcs.
---------------	--------

Electrical connection - Process connection

1	U+
2	trigger input
3	GND
4	switching output 1 Ready
5	switching output 2 cascading

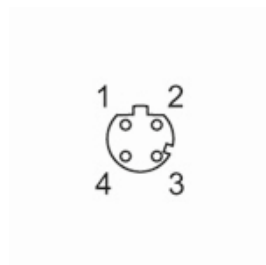
Connector: 1 x M12



Electrical connection - Ethernet

1	TD +
2	RD +
3	TD -
4	RD -

Connector: 1 x M12



O3D313



3D camera

O3DIRDKG/E1/GM/S/60

Other data

Field of view size

measuring range / distance [m]	without lens distortion correction		with lens distortion correction	
	Length [m]	Width [m]	Length [m]	Width [m]
0.50	0.40	0.56	0.37	0.50
1.00	0.80	1.13	0.75	1.00
2.00	1.60	2.26	1.50	2.00
3.00	2.40	3.39	2.25	3.00
4.00	3.20	4.52	3.00	4.00
5.00	4.00	5.65	3.75	5.00