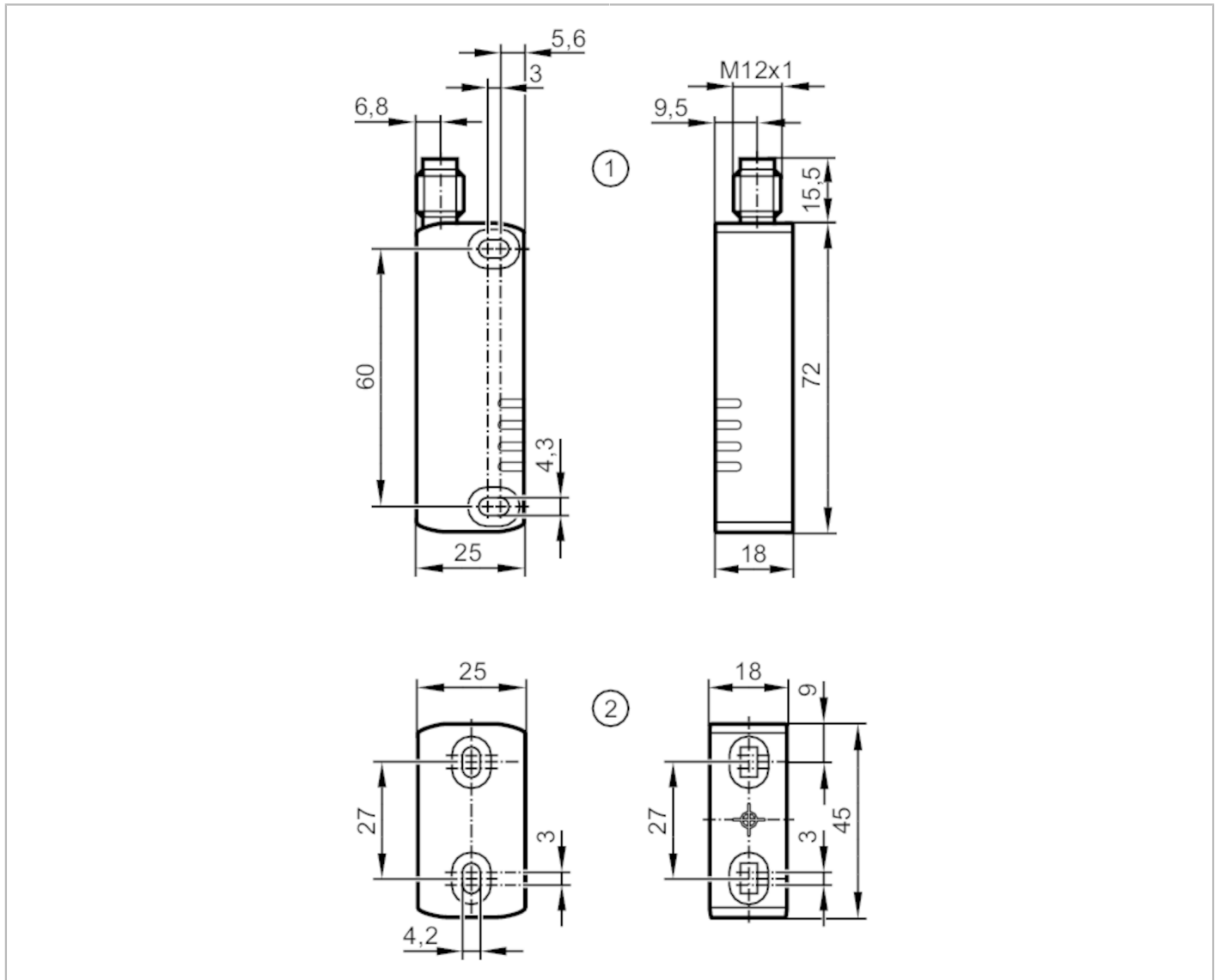


# MN707S

## RFID-coded safety sensor

MN38010-BPKG/LUC/US



### Product characteristics

Electrical design	PNP
Output function	2 x OSSD, 1 x PNP
Sensing range [mm]	12; (with defined actuator)
Housing	rectangular
Dimensions [mm]	72 x 18 x 25

### Application

Design	uniquely fully coded target
Type of operation	permanent operation
Radio approval for	USA; Canada; Australia; EU/RED; China; Singapore

# MN707S



## RFID-coded safety sensor

MN38010-BPKG/LUC/US

Electrical data		
Operating voltage	[V]	20.4...26.4 DC; ("supply class 2" to cULus)
Rated insulation voltage	[V]	32
Operating current	[mA]	40...700
No-load current	[mA]	30
Current consumption	[mA]	< 50
Protection class		III
Reverse polarity protection		yes
Max. power-on delay time	[ms]	1500
Outputs		
Electrical design		PNP
Output function		2 x OSSD, 1 x PNP
Max. leakage current	[mA]	0.5
Permanent current rating of switching output DC	[mA]	50
Switching frequency DC	[Hz]	1
Output data		interface type C class 2
Short-circuit protection		yes
Overload protection		yes
Max. capacitive load CL_max	[nF]	200
Detection zone		
Sensing range	[mm]	12; (with defined actuator)
Safe switching-off distance s(ar)	[mm]	16
Accuracy / deviations		
Hysteresis	[%]	20
Repeatability analogue output	[%]	≤ 10; (% Sn)
Response times		
Response time to safety request	[ms]	160
Response time when approaching the enable zone	[ms]	600
Risk time (response time for safety-related faults)	[ms]	10

# MN707S



## RFID-coded safety sensor

MN38010-BPKG/LUC/US

Operating conditions		
Applications	class C to EN 60654-1 weatherproof application	
Ambient temperature [°C]	-25...70	
Note on ambient temperature	operational life ≤ 87600 h	
Ambient temperature [°C]	10...40	
Note on ambient temperature	operational life ≤ 175200 h	
Max. relative air humidity [%]	briefly: 5...95 %; permanent: 5...70 %	
Air pressure [kPa]	80...106	
Max. height above sea level [m]	2000	
Ionising radiation	not permissible	
Salt spray	no	
Protection	IP 67; IP 69K	
Tests / approvals		
EMC	IEC 60947-5-3	
Shock resistance	EN 60068-2-27	30 g (11 ms)
Vibration resistance	IEC 60068-2-6	10 g (10...55 Hz)
UL approval	Enclosure type	Type 1, 4x, "for indoor use only", 12
	voltage supply	Class 2
	File number UL	E174191
Safety classification		
Complies with the requirements	ISO 13849-1: 2015 category 4, PL e IEC 62061 SIL 3	
Mission time TM [h]	≤ 175200	
Mission time TM (additional indication)	20 years	
PFH [1/h]	1,5E-09	
Mechanical data		
Weight [g]	173.4	
Housing	rectangular	
Mounting	non-flush mountable	
Dimensions [mm]	72 x 18 x 25	
Materials	PA	
Tightening torque [Nm]	0.8...2	
Displays / operating elements		
Display	function	1 x LED, (ACT)
	input	1 x LED, (IN)
	Output	1 x LED, (OUT)
	operation	1 x LED, (PWR)
Accessories		
Items supplied	uniquely fully coded target washers: 4 cover caps: 8	
Remarks		
Pack quantity	1 pcs.	

# MN707S

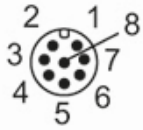


## RFID-coded safety sensor

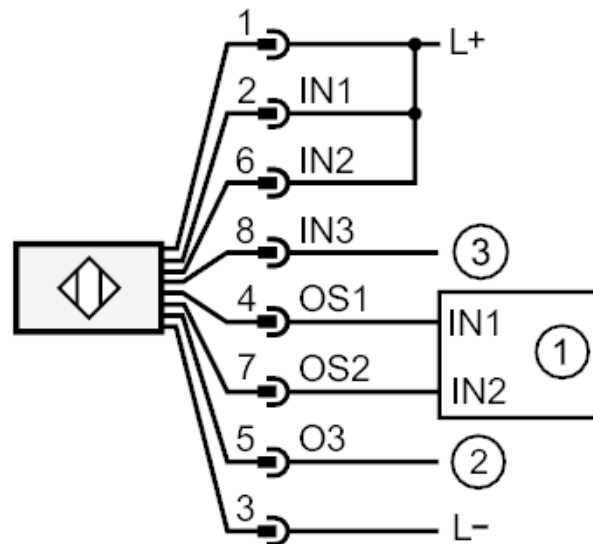
MN38010-BPKG/LUC/US

### Electrical connection - plug

Connector: 1 x M12; coding: A; Moulded body: stainless steel (1.4301 / 304)



### Connection



- 1: safety-related logic unit
- 2: Programmable Logic Controller (PLC)
- 3: not used