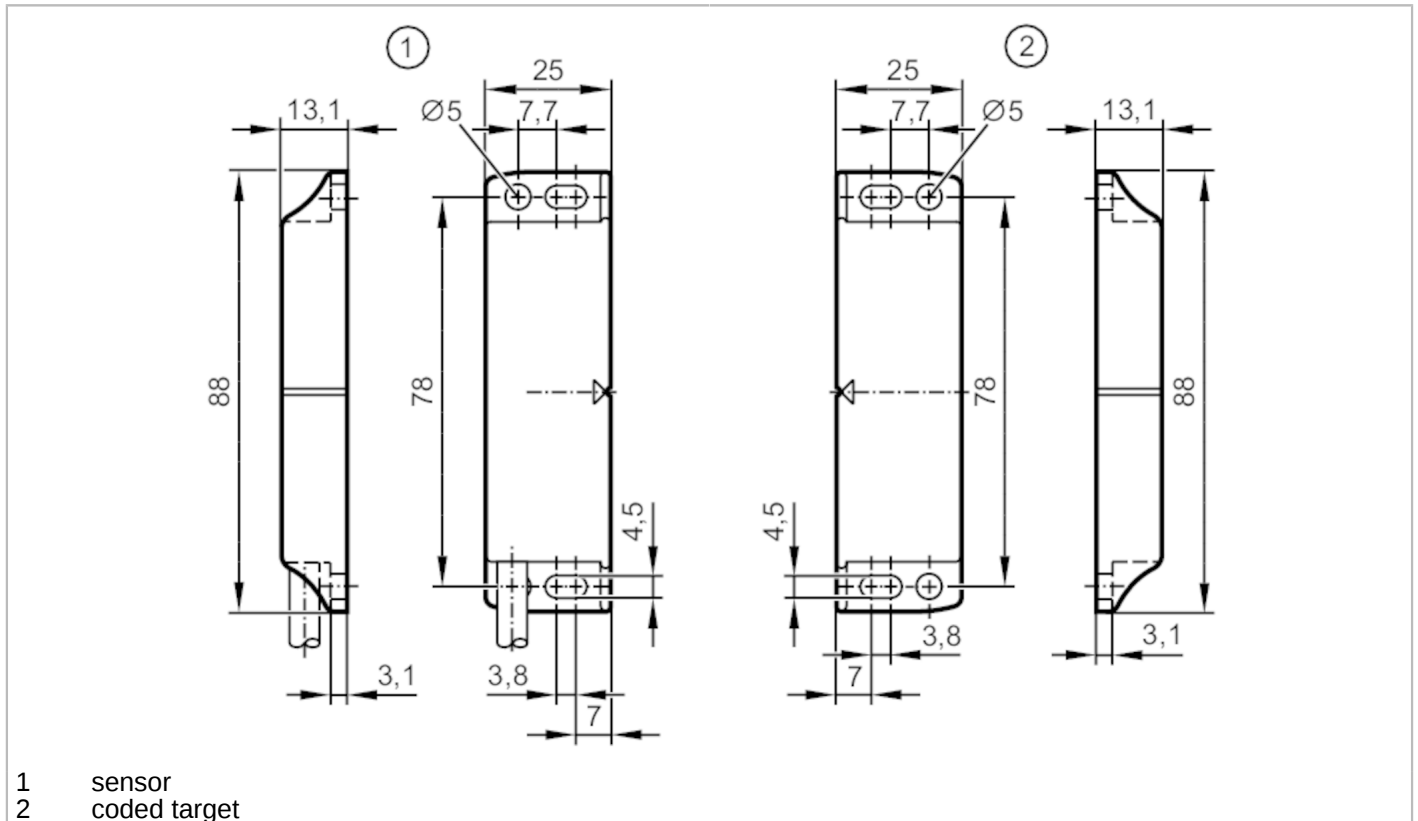


MN505S



Magnetically coded sensor

MN46008-AKOG/6m/-H



Product characteristics

Output function	2 x normally open, 1 x normally closed; (potential-free)
Sensing range [mm]	8; (with defined actuator)
Housing	rectangular
Dimensions [mm]	88 x 13.1 x 25

Application

Design	coded target
Type of operation	permanent operation
Application	for safety-related applications

Electrical data

Operating voltage [V]	24 DC
Rated insulation voltage [V]	60
Protection class	III
Reverse polarity protection	no
Internal resistance (R _I) [Ω]	10; (1 W)

MN505S



Magnetically coded sensor

MN46008-AKOG/6m/-H

Outputs		
Output function		2 x normally open, 1 x normally closed; (potential-free)
Permanent current rating of switching output DC [mA]		50
Switching frequency DC [Hz]		150
Output data		Interface type A
Short-circuit proof		no
Max. capacitive load CL_max [nF]		20
Detection zone		
Sensing range [mm]		8; (with defined actuator)
Safe switching-off distance s(ar) [mm]		20
Response times		
Response time to safety request [ms]		10
Max. fall time [ms]		0.1
Max. make time incl. bounce [ms]		0.6
Operating conditions		
Applications		class C to EN 60654-1 weatherproof application
Ambient temperature [°C]		-25...80
Ambient temperature [°C]		10...40
Note on ambient temperature		operational life ≤ 175200 h
Max. relative air humidity [%]		briefly: 5...95 %; permanent: 5...70 %
Air pressure [kPa]		80...106
Max. height above sea level [m]		2000
Salt spray		no
Protection		IP 67; IP 69K; (protected cable laying)
Tests / approvals		
EMC	IEC 60947-5-1	
Shock resistance	EN 60068-2-27	30 g (11 ms)
Vibration resistance	IEC 60068-2-6	10 g (10...55 Hz)
Safety classification		
Mission time TM [h]		≤ 175200
Mission time TM (additional indication)		20 years
B10D		20.000.000; (without load; at max. load DC 12, 24 V, 50 mA: 400.000)
Mechanical data		
Weight [g]		458
Housing		rectangular
Mounting		non-flush mountable
Dimensions [mm]		88 x 13.1 x 25
Materials		housing: PA; mounting plate: stainless steel (1.4301 / 304)
Tightening torque [Nm]		0.8...2
Accessories		
Items supplied		coded target

MN505S



Magnetically coded sensor

MN46008-AKOG/6m/-H

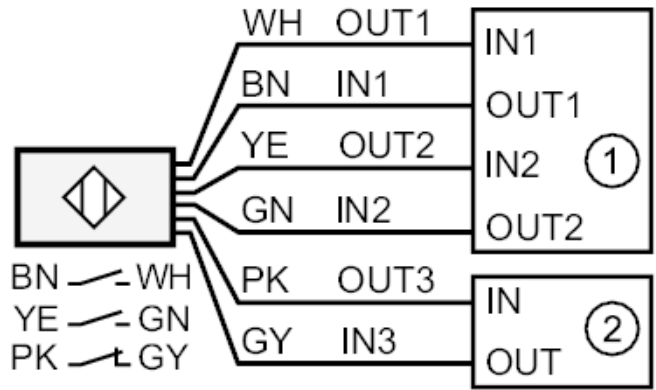
Remarks

Remarks	In connection with a G150xS / AC4x2S type evaluation unit, it is possible to reach up to PL e (ISO 13849-1) or SIL cl 3 (IEC 62061)
Pack quantity	1 pcs.

Electrical connection

Cable: 6 m, PVC, Ø 5 mm; 6 x 0.25 mm²

Connection



- 1: safety-related logic unit
- 2: Programmable Logic Controller (PLC)

Core colours :

BN = brown
GN = green
GY = grey
PK = pink
WH = white
YE = yellow