

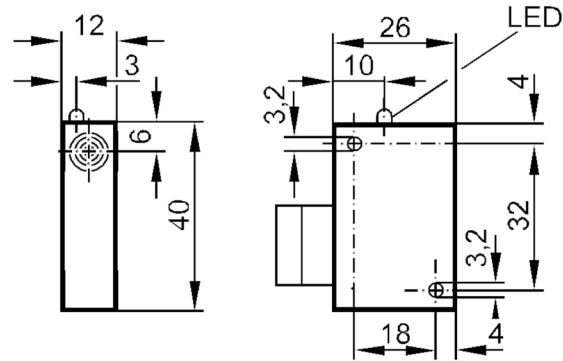
IN5027

Inductive sensor

IN-3004-FNKG



Article no longer available - archive entry



Electrical data

Operating voltage	[V]	18...30 DC
Current consumption	[mA]	10; (24 V)
Reverse polarity protection		yes

Outputs

Electrical design		NPN
Output function		normally open / normally closed; (selectable)
Max. voltage drop switching output DC	[V]	1.3
Permanent current rating of switching output DC	[mA]	100
Short-circuit protection		yes
Type of short-circuit protection		pulsed
Overload protection		yes

Detection zone

Sensing range	[mm]	4
Real sensing range Sr	[mm]	4 ± 10 %
Operating distance	[mm]	0...3.25

Accuracy / deviations

Correction factor		steel: 1 / stainless steel: 0.7 / brass: 0.4 / aluminium: 0.4 / copper: 0.3
Hysteresis	[% of Sr]	3...15
Switch point drift	[% of Sr]	-10...10

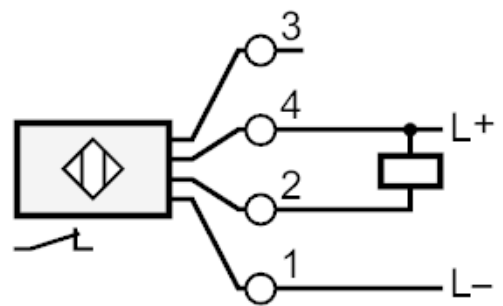
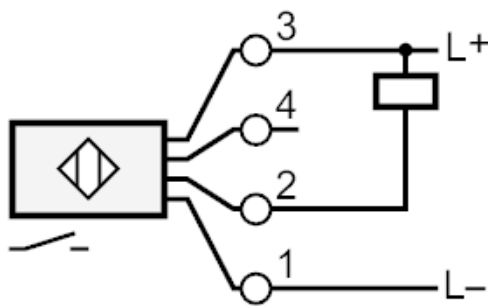
IN5027



Inductive sensor

IN-3004-FNKG

Operating conditions		
Ambient temperature	[°C]	-25...80
Tests / approvals		
EMC	EN 60947-5-2	
Mechanical data		
Housing		rectangular
Mounting		non-flush mountable
Dimensions	[mm]	40 x 12 x 26
Materials		PBT
Displays / operating elements		
Display	switching status	1 x LED, yellow
Remarks		
Pack quantity		1 pcs.
Electrical connection		
terminals: ...2.5 mm ²		
Connection		



Article no longer available - archive entry