

IM503A

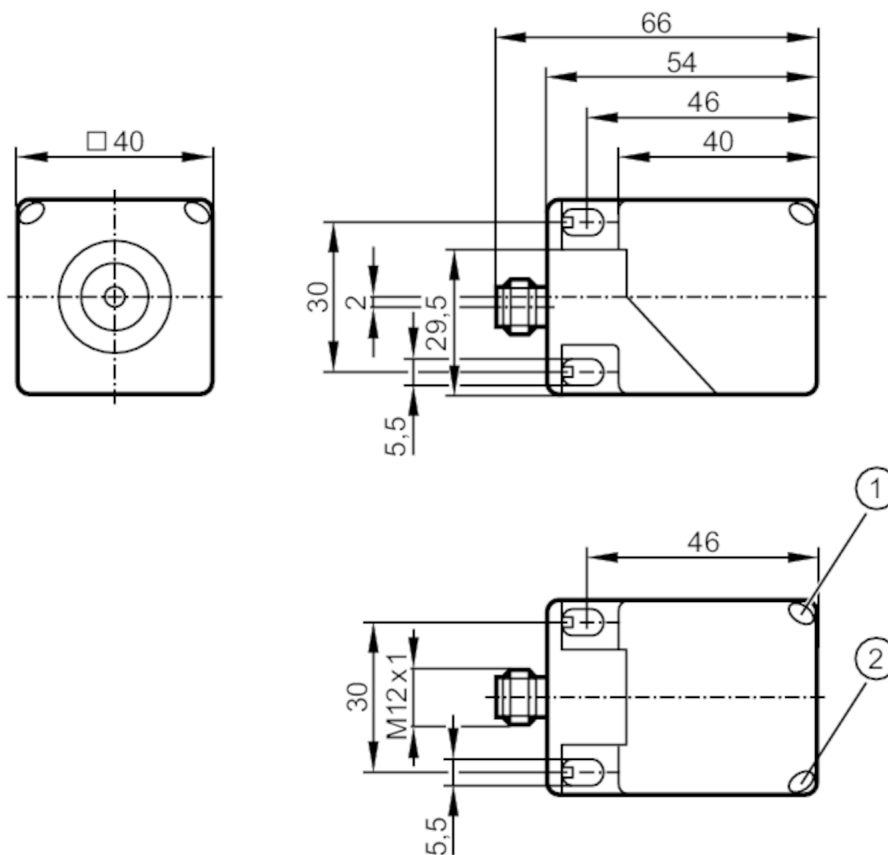


Inductive sensor

IMC4040-CPKG/US-100-DPA/3D

Article no longer available - archive entry

replaced by: IM511A



- 1 LED yellow
- 2 LED green



Product characteristics

Electrical design	PNP
Output function	complementary
Sensing range [mm]	40
Housing	rectangular
Dimensions [mm]	40 x 40 x 54

Electrical data

Operating voltage [V]	10...30 DC; (when used outside the hazardous area: 10...36)
Current consumption [mA]	< 20
Protection class	II
Reverse polarity protection	yes

IM503A



Inductive sensor

IMC4040-CPKG/US-100-DPA/3D

Outputs		
Electrical design		PNP
Output function		complementary
Max. voltage drop switching output DC [V]		2.5
Max. leakage current [mA]		0.1
Permanent current rating of switching output DC [mA]		200
Switching frequency DC [Hz]		100
Short-circuit protection		yes
Type of short-circuit protection		pulsed
Overload protection		yes
Detection zone		
Sensing range [mm]		40
Operating distance [mm]		0...32.4
Accuracy / deviations		
Correction factor		steel: 1 / stainless steel: 0.7 / brass: 0.4 / aluminium: 0.4 / copper: 0.3
Hysteresis [% of Sr]		1...20
Operating conditions		
Ambient temperature [°C]		-20...50
Note on ambient temperature		when used outside the hazardous area: -25...70 °C
Protection		IP 5x; (when used outside the hazardous area: IP 67)
Tests / approvals		
ATEX marking		II 3D Ex tD A22 IP67 T80°C X
		II 3G Ex nA II T6 X
EMC	EN 61000-4-2 ESD	8 kV CD / 6 kV AD
	EN 61000-4-3 HF radiated	10 V/m
	EN 61000-4-4 Burst	2 kV
	EN 61000-4-5 Surge	0,5 line to line, Ri: 2 Ohm
	EN 61000-4-6 HF conducted	10 V
	EN 55011	class B
MTTF [years]		1208
Mechanical data		
Weight [g]		0.17
Housing		rectangular
Mounting		non-flush mountable
Dimensions [mm]		40 x 40 x 54
Materials		housing: PA; plug: stainless steel
Displays / operating elements		
Display	switching status	1 x LED, yellow
	operation	1 x LED, green
Remarks		
Pack quantity		1 pcs.

IM503A



Inductive sensor

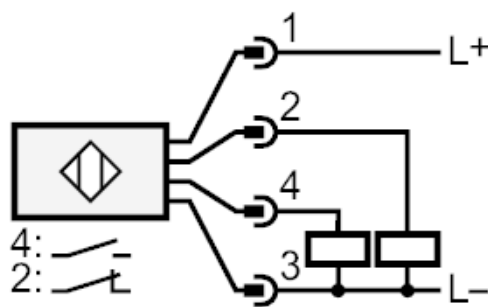
IMC4040-CPKG/US-100-DPA/3D

Electrical connection - plug

Connector: 1 x M12; Locking: locking, rotatable



Connection



Article no longer available - archive entry

replaced by: IM511A