

II5810

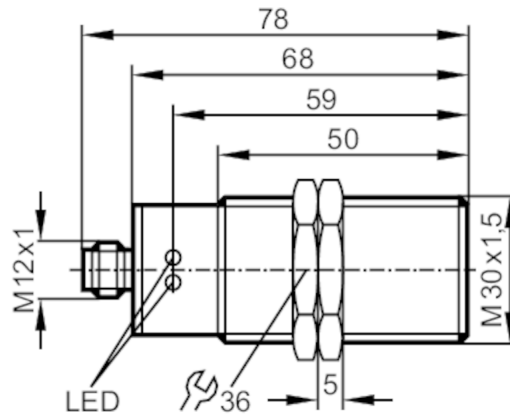


Inductive sensor

IIA2010-ASI /US-100

Article no longer available - archive entry

Alternative article: IIC220 When selecting an alternative article and accessories please note that technical data may differ! – When selecting an alternative article and accessories please note that technical data may differ!



Product characteristics

Electrical design		AS-i
Sensing range	[mm]	10
Housing		threaded type
Dimensions	[mm]	M30 x 1.5 / L = 78

Electrical data

Operating voltage	[V]	26.5...31.6 DC
Current consumption	[mA]	< 30
Protection class		II
Reverse polarity protection		yes

Outputs

Electrical design		AS-i
Short-circuit protection		yes
Type of short-circuit protection		pulsed
Overload protection		yes

Detection zone

Sensing range	[mm]	10
---------------	------	----

Operating conditions

Ambient temperature	[°C]	-25...70
Protection		IP 67

Tests / approvals

EMC	EN 60947-5-2	
	EN 55011	class B

II5810



Inductive sensor

IIA2010-ASI /US-100

AS-i classification						
AS-i I/O configuration	[hex]	1				
AS-i ID code	[hex]	1				
AS-i certificate		02901				
Assignment of the data bits		Designation	switching signal	safe zone	readiness for operation	not used

Mechanical data	
Housing	threaded type
Mounting	flush mountable
Dimensions	[mm] M30 x 1.5 / L = 78
Thread designation	M30 x 1.5
Materials	brass white bronze coated; sensing face: PBT

Displays / operating elements		
Display	switching status	1 x LED, yellow
	unsafe zone	1 x LED, red sensor coil wire break, sensor coil short circuit Sr: 0...10 % (< 10 Hz) Sn: 80...115 % (< 10 Hz)

Accessories	
Accessories (supplied)	lock nuts: 2

Remarks	
Remarks	Assured range: approx. 10...80 % of Sn
Pack quantity	1 pcs.

Electrical connection - plug

Connector: 1 x M12



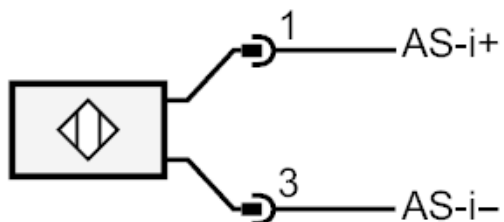
II5810



Inductive sensor

IIA2010-ASI /US-100

Connection



Article no longer available - archive entry

Alternative article: IIC220 When selecting an alternative article and accessories please note that technical data may differ! – When selecting an alternative article and accessories please note that technical data may differ!