

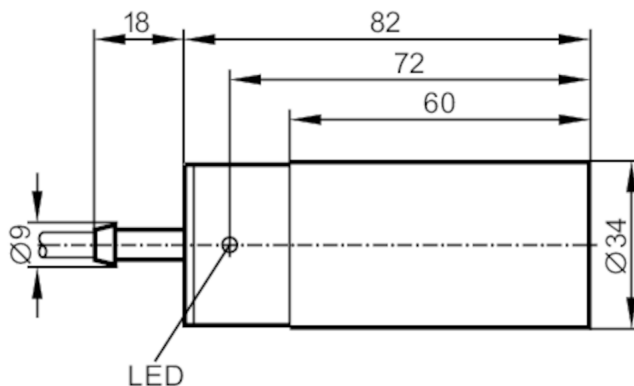
IB5021



Inductive sensor

IB-2020SFROG/6M

Article no longer available - archive entry



Product characteristics

Electrical design	PNP; (self-monitoring system)
Output function	normally open / normally closed; (selectable)
Sensing range [mm]	20
Housing	cylindrical
Dimensions [mm]	Ø 34 / L = 82

Electrical data

Connection to switching amplifiers	yes
Switching amplifiers	connection to F400 control monitor or as 2-wire DC DNP
Operating voltage [V]	10...55 DC
Reverse polarity protection	no

Outputs

Electrical design	PNP; (self-monitoring system)
Output function	normally open / normally closed; (selectable)
Max. voltage drop switching output DC [V]	6.5
Minimum load current [mA]	5
Max. leakage current [mA]	1.5
Permanent current rating of switching output DC [mA]	50
Switching frequency DC [Hz]	20
Short-circuit protection	no
Overload protection	no

Detection zone

Sensing range [mm]	20
Real sensing range S_r [mm]	$20 \pm 10 \%$
Operating distance [mm]	0...16.2

IB5021



Inductive sensor

IB-2020SFROG/6M

Accuracy / deviations		
Correction factor	steel: 1 / stainless steel: 0.7 / brass: 0.4 / aluminium: 0.3 / copper: 0.2	
Hysteresis [% of Sr]	1...15	
Switch point drift [% of Sr]	-10...10	
Operating conditions		
Ambient temperature [°C]	-25...80	
Protection	IP 67	
Tests / approvals		
EMC	EN 60947-5-2	
	EN 55011	class B
Mechanical data		
Housing	cylindrical	
Mounting	non-flush mountable	
Dimensions [mm]	Ø 34 / L = 82	
Materials	PBT; end cap: PC	
Displays / operating elements		
Display	switching status	1 x LED, yellow
Accessories		
Accessories (supplied)	Mounting clamps: 1	
Remarks		
Pack quantity	1 pcs.	

IB5021



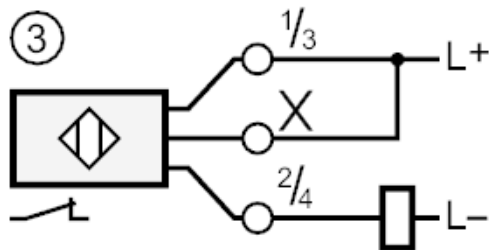
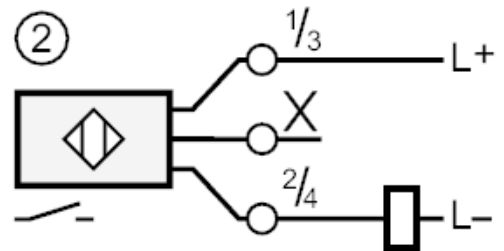
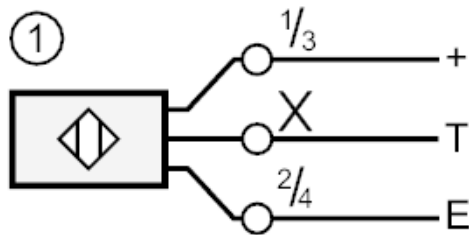
Inductive sensor

IB-2020SFROG/6M

Electrical connection

Cable: 6 m, PVC; 3 x 0.5 mm²

Connection



- 1 = connection to F400
- 2 = Connection 2-wire DC
- 3 = Connection 2-wire DC

Core colours :

- BK = black
- BN = brown
- BU = blue

Article no longer available - archive entry