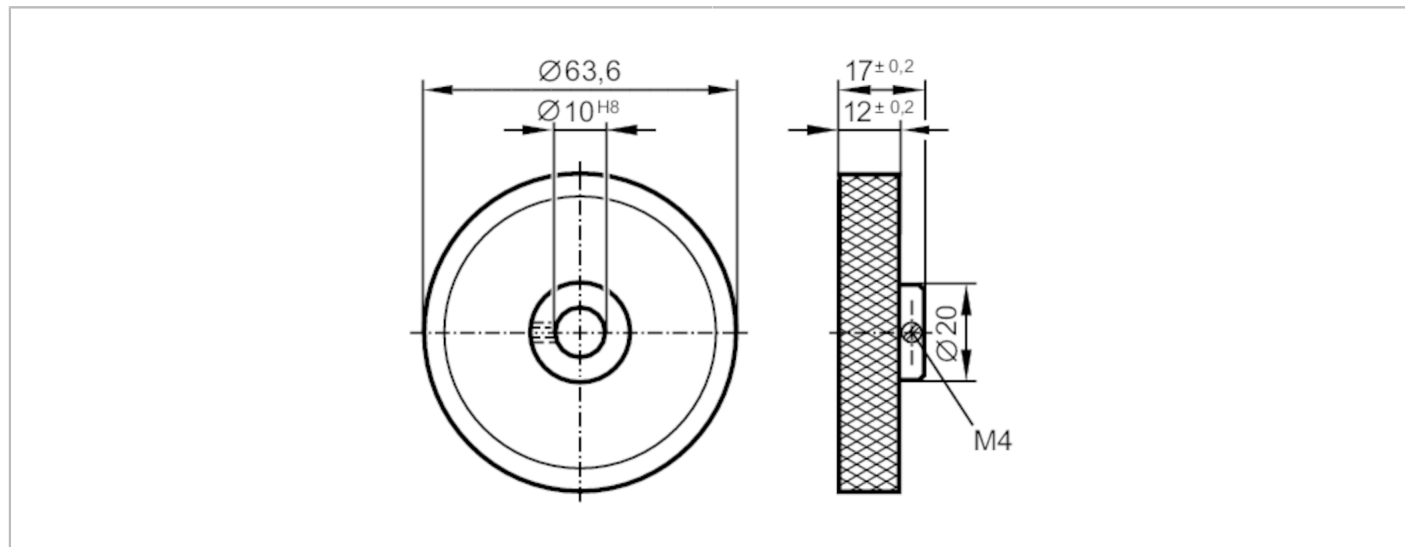


E60095



Measuring wheel

MEASURING WHEEL U:200 N:10



Application	
Design	cross-knurl
Operating conditions	
Ambient temperature [°C]	-30...80
Mechanical data	
Weight [g]	64
Inside diameter [mm]	10
External diameter [mm]	63.6
Materials	wheel: aluminium; surface characteristics: aluminium
Remarks	
Pack quantity	1 pcs.