

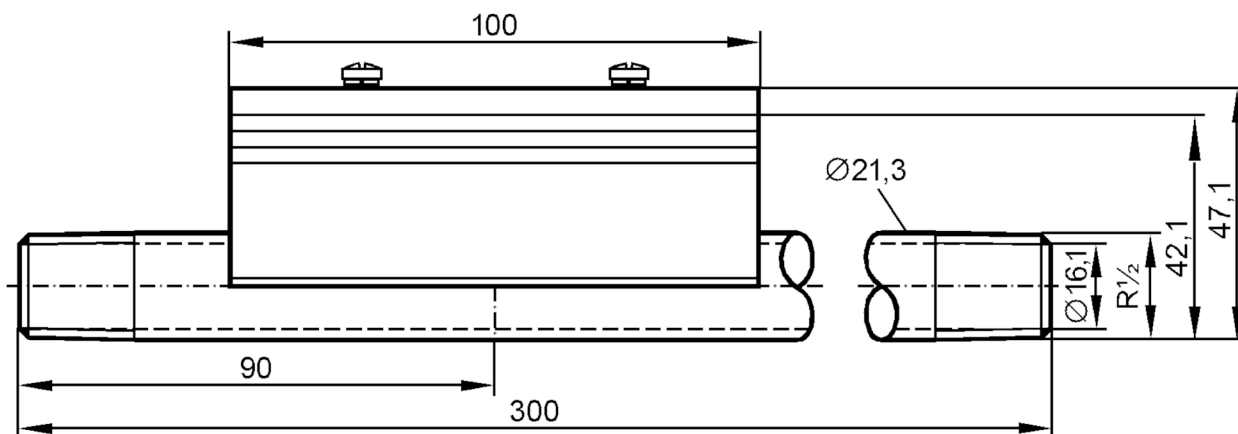
E40157



Pipe section for compressed air meter

MESSSTR DN15/L300/VA/D21,3

Article no longer available - archive entry



Application

Design	for compressed air meters SD6
Pressure rating [bar]	16

Mechanical data

Materials	stainless steel (1.4301 / 304); FKM; aluminium anodised
Process connection	R 1/2

Remarks

Pack quantity	1 pcs.
---------------	--------

Article no longer available - archive entry