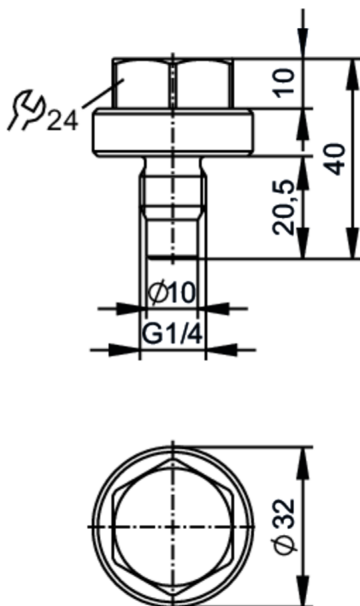


E30508



Welding mandrel for process connections

WELD MANDREL ADAPT G1/4



Application

Application

carries away heat during welding

Mechanical data

Weight

[g]

178.3

Materials

brass CW724R

Process connection

G 1/4

Remarks

Pack quantity

1 pcs.