

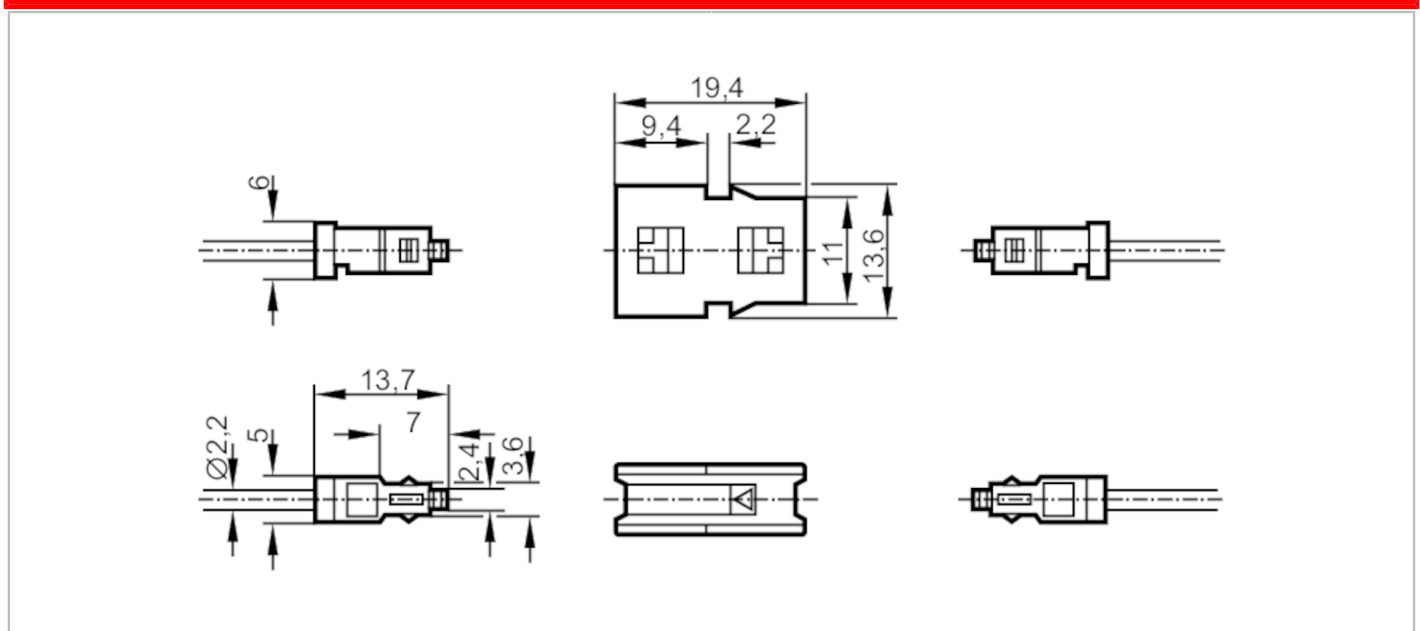
E20771



Fibre optic through beam sensor

FE-11-EPA

Article no longer available - archive entry



Operating conditions	
Ambient temperature	[°C] -30...70
Mechanical data	
Weight	[g] 45.8
Version of sensing head	straight
Total length	[mm] 2000; (fibre attached on one side 2 x 1000 mm)
Min. bending radius	[mm] 30
Fibre diameter	[mm] 1
Fibre material	PMMA
Fibre sheath material	PE
Remarks	
Pack quantity	1 pcs.

Article no longer available - archive entry