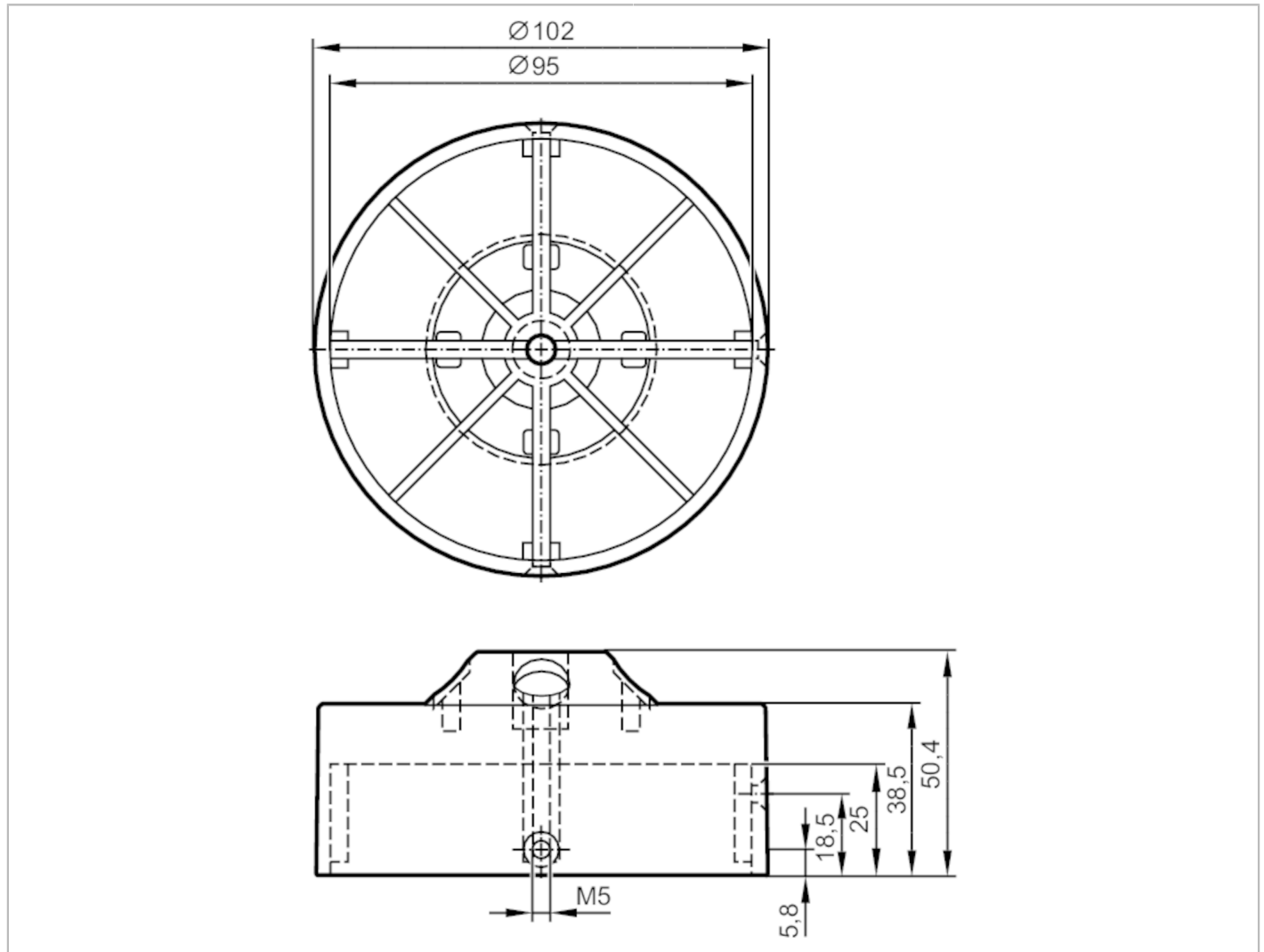


E17328



Target pucks for valve actuators

PUCK/IIND/BK/D102



| Application | |
|---|--|
| Design | for mechanical interfaces to pneumatic actuators or manually-operated valves VDI / VDE 3845, ISO 5211 / DIN 3337 |
| Mechanical data | |
| Weight | [g] 99.2 |
| Target puck diameter | [mm] 102 |
| Hole spacing | [mm] 130 |
| Shaft height of valve drive | [mm] 30 |
| Housing colour | black |
| Number of possible switching flag positions | 3 |
| Materials | target puck: PA 6; screws: stainless steel (1.4302) |
| Remarks | |
| Pack quantity | 1 pcs. |