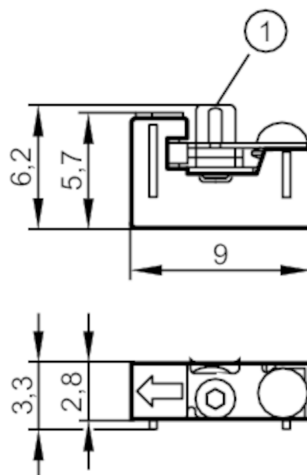


E12004



Memorisation block for C-slot cylinders

MEMORY BLOCK C-NUT



1 fastening clamp

Application

Design for types MKC (C-slot cylinder sensors)

Mechanical data

Weight [g]	5.7
Type of mounting	fixing: slot head screw
Dimensions [mm]	6.2 x 3.3 x 9
Materials	PA; stainless steel

Remarks

Pack quantity 1 pcs.